



PRODUCT CATALOGUE



Your Smile , Our Mission

Zhejiang Shinye Medical Technology Co., Ltd. was established in 2004 and is located at No. 1032 Tongyi Road, Gongshu District, Hangzhou City, covering an area of 17.92 mu (approximately 11,947 square meters) with a building area of 6,300 square meters. It is a specialized manufacturer of dental materials, integrating R&D, production, and sales (with the right to self-manage import and export), and is renowned at home and abroad for providing high-quality products.

Since its founding, the company has actively introduced advanced international technologies, continuously improved its comprehensive technical capabilities in response to market trends, and ensured product quality. With strict quality standards, a robust feedback system, high-quality raw materials, mature manufacturing processes, advanced testing equipment, and a well-developed network system, the company ensures meticulous quality control throughout the entire production process, resulting in excellent product quality and a strong market reputation.

As a leading enterprise in China's orthodontic industry, Shinye's business spans more than 30 provinces across China and over 100 countries worldwide. The "SHINYE" brand holds a leading position in the domestic market. For consecutive years, the company has been rated as an "Integrity Enterprise" in the quality credit rating of provincial and municipal medical device manufacturing enterprises.

Shinye's orthodontic product series falls under the "National Key Supported High-Tech Fields" —specifically, Section IV: New Materials, Subsection IV: Biomedical Materials, Point 7: Proprietary technologies for specialized surgical instruments and materials: minimally invasive surgical instruments, specialty or precision surgical tools, and irrigation technologies for surgeries, which are all priority areas for support. In 2016, the company was officially recognized as a **National High-Tech Enterprise**.

Adhering to the quality policy of "We are committed to the most advanced management and technology to provide customers with safer products and better services," the company strives to become a trustworthy and continuously innovative enterprise. Shinye will continue to lead innovation in orthodontic materials and contribute to the global development of orthodontic solutions.

Milestones and Achievements:

- 1994: Shinye was founded in Hangzhou, Zhejiang Province.
 - 2000: Launched the HX series straight-wire brackets, developed in collaboration with the West China Hospital of Stomatology, Sichuan University, based on data tailored for Chinese patients.
 - 2007: Introduced the ChuanDong® straight-wire appliance, co-developed with renowned expert Prof. Lin Jiuxiang. ChuanDong® straight-wire appliance was selected in the Ministry of Health's "Ten-Year Hundred Key Technologies for Promotion" program.
 - 2009: Released the fully synchronized ribbon arch appliance, developed in cooperation with leading expert Prof. Liang Jiaying.
 - 2012: Launched the PASS® physiological anchorage control system in collaboration with Prof. Xu Tianmin, which won the **Second Prize of the Chinese Medical Science and Technology Award**.
 - 2014: Established the "Joint Research and Development Center for New Dental Materials" with Zhejiang University.
 - 2016: Recognized as a **National High-Tech Enterprise**.
 - 2017: Became the **exclusive global manufacturer** authorized by Lawrence F. Andrews, the "Father of Straight-Wire Appliances," to produce Andrews self-ligating brackets.
 - 2021: The R&D and application of the PASS physiological anchorage theory and system received the **Third Prize of the Chinese Medical Science and Technology Award**.
- Launched a digital orthodontic system, including:
- o iShinye® clear aligners (bracket-free invisible aligners)
 - o LiuliBelle® full-cycle clear aligners for children.
- 2022: Released the DSA self-ligating bracket, co-developed with renowned expert Prof. Han Xianglong.
 - 2024: As a primary contributor, participated in the national research project "Establishment and Clinical Application of New Technologies for the Prevention and Treatment of Skeletal Malocclusions," which won the **Second Prize of the National Science and Technology Progress Award**.



1992
CHINA'S FIRST
STRAIGHT WIRE
BRACKET

1994
SET UP

2000
ANDREWS BRACKET

2007
TRANSMISSION

2012
PASS[®] TREATMENT SYSTEM

2013
FDA

2021
STAR

2021
CE

2022
DSA

2022
PASS[®] SELF-LIGATING

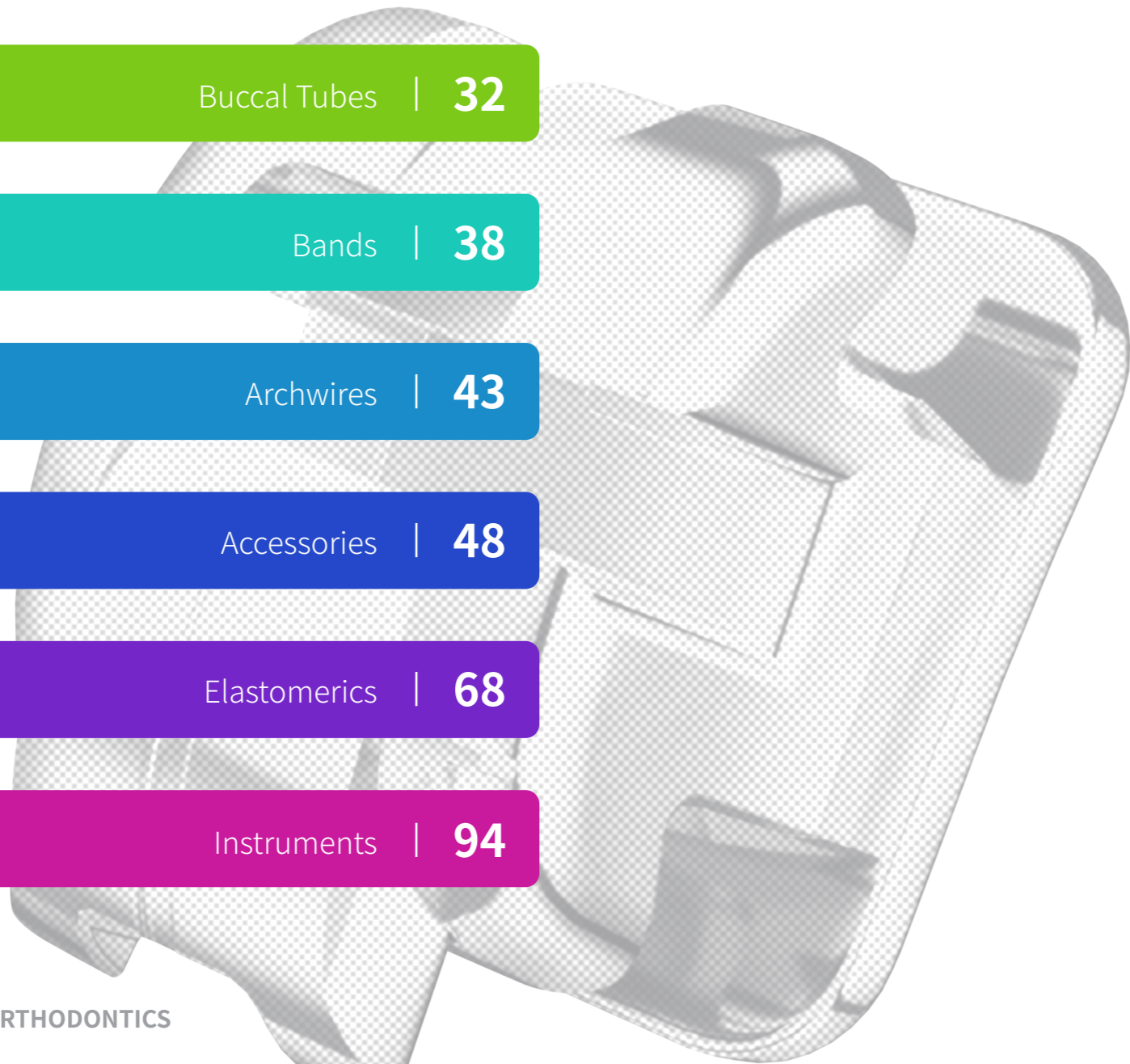
2023
ARC D



2024
NATIONAL
PROGRESS
AWARD

Table of Contents

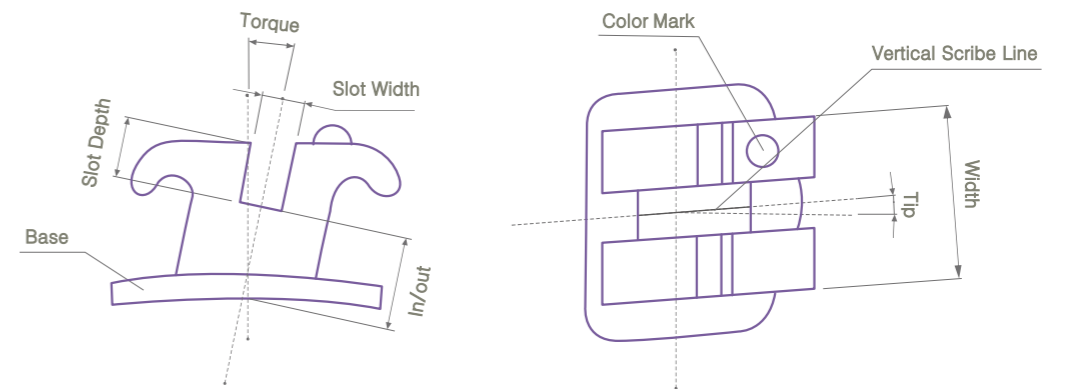
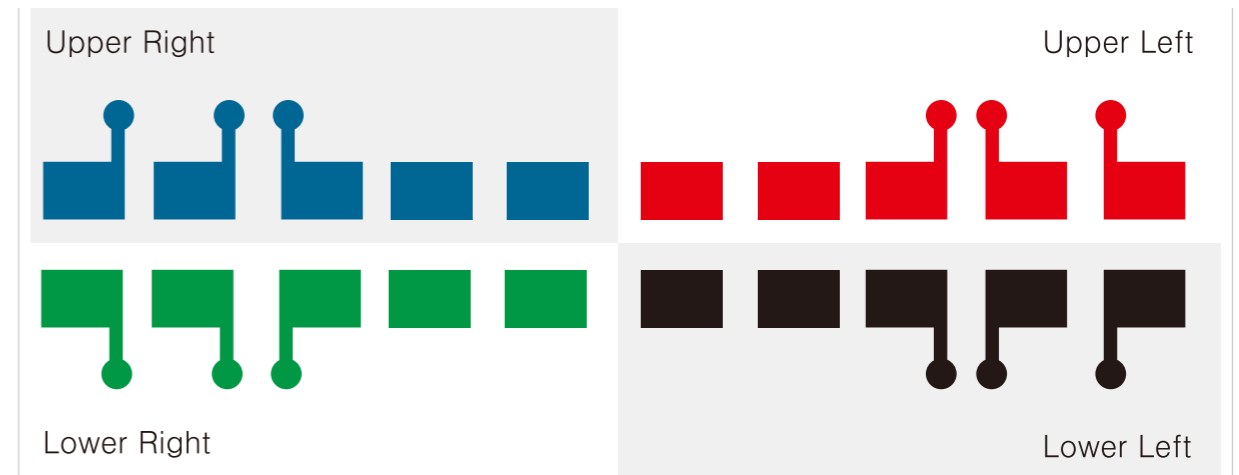
1	Self Ligating Brackets	2
2	Ceramic Brackets	10
3	Metal Brackets	25
4	Buccal Tubes	32
5	Bands	38
6	Archwires	43
7	Accessories	48
8	Elastomerics	68
9	Instruments	94



FDI System

17	16	15	14	13	12	11	21	22	23	24	25	26	27
7	6	5	4	3	2	1	1	2	3	4	5	6	7
7	6	5	4	3	2	1	1	2	3	4	5	6	7
47	46	45	44	43	42	41	31	32	33	34	35	36	37
A7	A6	A5	A4	A3	A2	A1	B1	B2	B3	B4	B5	B6	B7
7	6	5	4	3	2	1	1	2	3	4	5	6	7
7	6	5	4	3	2	1	1	2	3	4	5	6	7
C7	C6	C5	C4	C3	C2	C1	D1	D2	D3	D4	D5	D6	D7

Color/Hook Designation



The SHINYE's versions of MBT* do not indicate any endorsement by Drs. Mclaughlin, Bennett, or Trevisi.



SELF LIGATING BRACKETS

- ARC SERIES 13
- STAR SERIES 19
- FLEX SERIES 30
- ANDREWS SERIES 36
- PASS SERIES 40
- TRANSMISSION SERIES 44
- DSA SERIES 48



SELF-LIGATING BRACKETS

ARC VS. STAR

Product Name	ARC D	ARC ED	ARC ND	STAR II	Star I	Star Lite
Appearance						
Description	Roth MBT	MBT	High Torque Standard Torque Low Torque	High Torque Standard Torque Low Torque	Roth MBT	Roth MBT
Movement Control	★★★★☆	★★★★★	★★★★☆	★★★★★	★★★★★	★★★★★
Vertical Auxiliary Tube				✓		✓
Lateral Auxiliary Slot			✓			
Opening Direction	Occlusal for Upper & Lower	Occlusal for Upper & Lower	Occlusal for Upper & Lower	Occlusal for Upper Gingival for Lower	Occlusal for Upper & Lower	Occlusal for Upper & Lower
Hook Design	3 Hook	3 Hook	3 Hook	Full-Position Detachable Hook	3 Hook	Full- Position Detachable Hook

ARC SERIES

Behind the Design

The design of this product is inspired by the “Cloud Gate” sculpture in Millennium Park, USA. Its arc resembles a smile, and its rounded shape not only aligns with the aesthetics of modern brackets but also enhances patient comfort and meets clinical needs. By integrating our independently developed self-ligating mechanism, We have created a series of passive self-ligating brackets with covering design, called “ARC”. The name represents the beautiful arc and symbolizes smile.



ARC SERIES

- ▶ ARC Distinction - ARC D
- ▶ ARC Elite Distinction - ARC ED
- ▶ ARC Noble Distinction - ARC ND



ARC D



ARC ED



ARC ND

ARC D

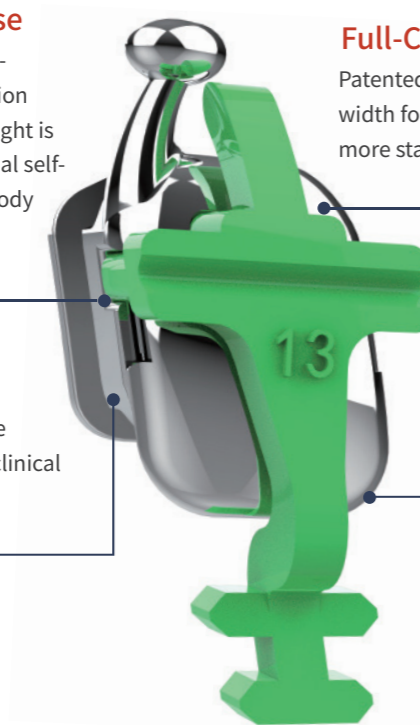
Product Features

Dual-Curved Bean-Shaped Base

Designed with a smooth dual-curved bean-shaped base, reducing oral mucosal irritation and preventing discomfort. The overall height is approximately 15% lower than conventional self-ligating brackets, minimizing the foreign body sensation.

Concave Ligation Wings

Optimized ligation space design prevents auxiliaries from detaching, ensuring secure attachment and enabling a wide range of clinical treatment techniques.



Full-Coverage Clip

Patented clip structure with increased mesiodistal width for enhanced bracket control, ensuring more stable torque management.

High-Precision Slot

Slot deviation controlled within $\pm 0.02\text{mm}$, surpassing the market standard of $\pm 0.05\text{mm}$, ensuring precise torque expression and improved treatment outcomes.

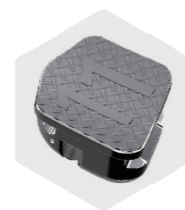
► Ultra-Thin Design

Overall height is reduced by approximately 15% compared to conventional self-ligating brackets, minimizing irritation to the oral mucosa and alleviating ulcer symptoms.



► Micro-Etched Mesh Base

The mesh base incorporates advanced U.S. chemical micro-etching technology, enhancing bond strength per unit area. Laser-marked inscriptions on the base facilitate easy tooth position identification.



► Positioning Rod

Helps determine the bracket's central position, facilitating accurate bonding in the initial stage and precise adjustments in later treatment.



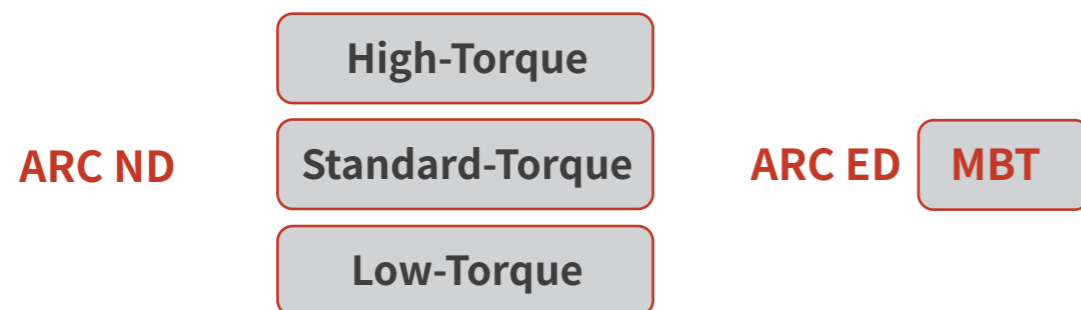
Product Information

Series	Data	Code	Content
ARC D	Roth	82N0-23E	• Upper&Lower 5-5
	MBT	83N1-23E	

Roth	82N0-23E	The Full Covering Self-Ligating Bracket Standard - Type Mesh Base			
Tooth	Ang.	Torq.	Offset.	Hook	
UL1/UR1	5°	12°	0°	/	
UL2/UR2	9°	8°	0°	/	
UL3/UR3	11°	0°	0°	w	
UL4/UR4/UL5/UR5	0°	-7°	0°	/	
LL1/LR1/LL2/LR2	0°	-1°	0°	/	
LL3/LR3	7°	-11°	0°	w	
LL4/LR4	0°	-17°	0°	/	
LL5/LR5	0°	-22°	0°	/	

ARC ND & ARC ED

Technical Data



ARC ED and ARC ND are identical in terms of shape and material. Compared to Arc ND, Arc ED is without gingival side auxiliary slot.

Product Features

- Tiny & Round**
Less occlusal interference during the initial stage of treatment and lower oral mucosa irritation through the double-curved, rounded.
- Gingival Side Auxiliary Slot**
Allows for the insertion of auxiliary archwires, enhancing tooth control. ARC ED doesn't have this.
- Micro-Etched Mesh Base**
80-mesh micro-etched base with laser markings enhances bonding strength.
- Concave Ligature Wings**
Optimized ligature space to prevent ligature wire displacement.
- Patented Sliding Structure**
Secure closure to prevent cap detachment, reducing unnecessary follow-up visits.

Product Information

Series	Data	Code	Content
ARC ED	MBT	8303-23E	• Upper&Lower 5-5

MBT	8303-23E	Self-Ligating Bracket Standard - Type Mesh Base		
Tooth	Ang.	Torq.	Offset.	Hook
UL1/UR1	4°	17°	0°	/
UL2/UR2	8°	10°	0°	/
UL3/UR3	8°	0°	0°	w
UL4/UR4/UL5/UR5	0°	-7°	0°	/
LL1/LR1/LL2/LR2	0°	-6°	0°	/
LL3/LR3	3°	0°	0°	w
LL4/LR4	2°	-12°	0°	/
LL5/LR5	2°	-17°	0°	/

Series	Data	Code	Content
ARC ND	High Torque	8H02-23E	• Upper&Lower 5-5
	Standard Torque	8J02-23E	
	Low Torque	8I02-23E	

High Torque 8H02-23E		High-torque Self-Ligating Bracket Standard-Type Mesh Base			
Tooth	Ang.	Torq.	Offset.	Hook	
UL1/UR1	5°	22°	0°	/	
UL2/UR2	9°	13°	0°	/	
UL3/UR3	5°	11°	0°	w	
UL4/UR4/UL5/UR5	2°	-11°	0°	/	
LL1/LR1	2°	-3°	0°	/	
LL2/LR2	4°	-3°	0°	/	
LL3/LR3	5°	13°	0°	w	
LL4/LR4	4°	-5°	0°	/	
LL5/LR5	4°	-17°	0°	/	

Standard Torque 8J02-23E		Standard-torque Self-Ligating Bracket Standard-Type Mesh Base			
Tooth	Ang.	Torq.	Offset.	Hook	
UL1/UR1	5°	12°	0°	/	
UL2/UR2	9°	8°	0°	/	
UL3/UR3	5°	7°	0°	w	
UL4/UR4/UL5/UR5	2°	-11°	0°	/	
LL1/LR1	2°	-6°	0°	/	
LL2/LR2	4°	-6°	0°	/	
LL3/LR3	5°	7°	0°	w	
LL4/LR4	4°	-12°	0°	/	
LL5/LR5	4°	-17°	0°	/	

Low Torque 8I02-23E		Low-torque Self-Ligating Bracket Standard-Type Mesh Base			
Tooth	Ang.	Torq.	Offset.	Hook	
UL1/UR1	5°	2°	0°	/	
UL2/UR2	9°	-5°	0°	/	
UL3/UR3	5°	-9°	0°	w	
UL4/UR4/UL5/UR5	2°	-11°	0°	/	
LL1/LR1	2°	-11°	0°	/	
LL2/LR2	4°	-11°	0°	/	
LL3/LR3	5°	0°	0°	w	
LL4/LR4	4°	-12°	0°	/	
LL5/LR5	4°	-17°	0°	/	

STAR SERIES

Star II



The Culmination of 30-Year Innovation

Technical Data

- High-Torque
- Standard-Torque
- Low-Torque



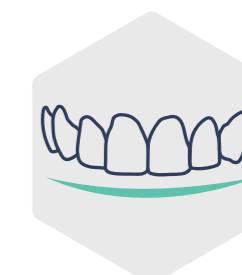
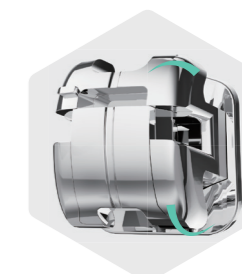
Product Features

► More Comfortable More Aesthetic

Double-curved design ensures a thinner profile with smoother edges for better patient comfort and prevents occlusal interference. Advanced welding technology avoids metal staining on enamel.

► Improved Anterior Torque Difference

The Star's standard torque bracket features a 4° torque difference between maxillary central and lateral incisors, enhancing the "smile curve" .



Increase ligation space by 30%

The Star I's ligation wings feature an inward curve and four angled corners, enhancing ligation space for easier use and reducing accessory detachment.



Enhance clinical efficiency

The Star II's full-tooth brackets have a vertical mesial attachment tube and a small bevel at the groove entrance to prevent edge binding, reduce sliding resistance, and enhance clinical efficiency.



Patented sliding cover, stable and comfortable

The Star II's sliding cover opens buccally for the maxilla and gingivally for the mandible, requiring minimal force to close. It features an 80-mesh base, MIM technology, and laser-etched tooth markings.



Concave midline for quick positioning

Concave midline designed to aid in quickly positioning the bracket bonding site, enhancing clinical efficiency.



Product Information

Series	Data	Code	Content
Star II	High Torque	8H04-20E	• Upper&Lower 5-5
	Standard Torque	8J04-20E	
	Low Torque	8I04-20E	

High Torque 8H04-20E	High Torque Self-Ligating Bracket Standard-Type Mesh Base			
Tooth	Ang.	Torq.	Offset.	Hook
UL1/UR1	5°	22°	0°	/
UL2/UR2	9°	13°	0°	/
UL3/UR3	5°	11°	0°	w
UL4/UR4/UL5/UR5	2°	-11°	0°	/
LL1/LR1	2°	-3°	0°	/
LL2/LR2	4°	-3°	0°	/
LL3/LR3	5°	13°	0°	w
LL4/LR4	4°	-5°	0°	/
LL5/LR5	4°	-17°	0°	/

Standard Torque 8J04-20E	Standard Torque Self-Ligating Bracket Standard-Type Mesh Base			
Tooth	Ang.	Torq.	Offset.	Hook
UL1/UR1	5°	12°	0°	/
UL2/UR2	9°	8°	0°	/
UL3/UR3	5°	7°	0°	w
UL4/UR4/UL5/UR5	2°	-11°	0°	/
LL1/LR1	2°	-6°	0°	/
LL2/LR2	4°	-6°	0°	/
LL3/LR3	5°	7°	0°	w
LL4/LR4	4°	-12°	0°	/
LL5/LR5	4°	-17°	0°	/

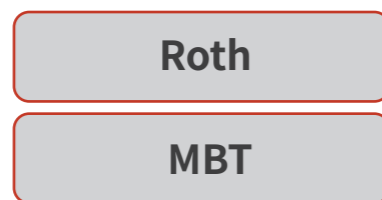
Low Torque 8I04-20E	Low Torque Self-Ligating Bracket Standard-Type Mesh Base			
Tooth	Ang.	Torq.	Offset.	Hook
UL1/UR1	5°	2°	0°	/
UL2/UR2	9°	-5°	0°	/
UL3/UR3	5°	-9°	0°	w
UL4/UR4/UL5/UR5	2°	-11°	0°	/
LL1/LR1	2°	-11°	0°	/
LL2/LR2	4°	-11°	0°	/
LL3/LR3	5°	0°	0°	w
LL4/LR4	4°	-12°	0°	/
LL5/LR5	4°	-17°	0°	/

STAR SERIES

Star I

High Quality / Stable Control / Strong Locking

Technical Data



Product Features

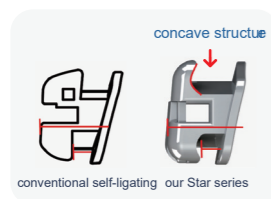
High Quality

System - U.S. Patent No. US11,135,037 B2;

ISO 9001:2008 certified; first to achieve EU CE certification.

Craftsmanship - Advanced fluid polishing for lower friction and smoother bracket surfaces;

stronger mesh adhesion to prevent detachment



Stable Control

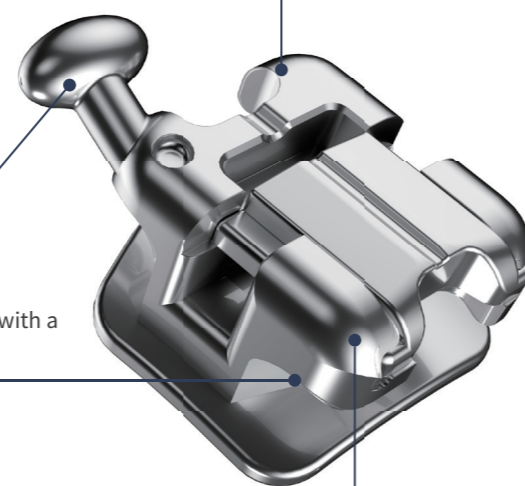
Ligation space increased by over 30% with a slippage-resistant design

Strong Locking

Stable opening force with a lower closing force and crisp tactile feedback

Easy to clean

No horizontal holes for minimal food residue



Product Information

Series	Data	Code	Content
Star I	Roth	8202-25E	• Upper&Lower 5-5
	MBT	8302-25E	

Roth	8202-25E	Self-Ligating Bracket Standard - Type Mesh Base			
Tooth		Ang.	Torq.	Offset.	Hook
UL1/UR1		5°	12°	0°	/
UL2/UR2		9°	8°	0°	/
UL3/UR3		11°	-2°	0°	w
UL4/UR4/UL5/UR5		0°	-7°	0°	/
LL1/LR1/LL2/LR2		0°	-1°	0°	/
LL3/LR3		5°	-11°	0°	w
LL4/LR4		0°	-17°	0°	/
LL5/LR5		0°	-22°	0°	/

MBT	8302-25E	Self-Ligating Bracket Standard - Type Mesh Base			
Tooth		Ang.	Torq.	Offset.	Hook
UL1/UR1		4°	17°	0°	/
UL2/UR2		8°	10°	0°	/
UL3/UR3		8°	-7°	0°	w
UL4/UR4/UL5/UR5		0°	-7°	0°	/
LL1/LR1/LL2/LR2		0°	-6°	0°	/
LL3/LR3		3°	-6°	0°	w
LL4/LR4		2°	-12°	0°	/
LL5/LR5		2°	-17°	0°	/

STAR SERIES

Star Lite

Efficiency Meets Precision – The Smart Choice for Modern Orthodontics

Star Lite is an upgraded version based on Star I, with significant enhancements in quality and craftsmanship. The production of this bracket is fully automated, leading to a substantial reduction in costs, which is why it is named “Lite” .

Product Features

Automated Manufacturing for Superior Quality –

Precision-engineered through a fully automated production line, ensuring consistent performance at a lower cost.

Reliable and Durable –

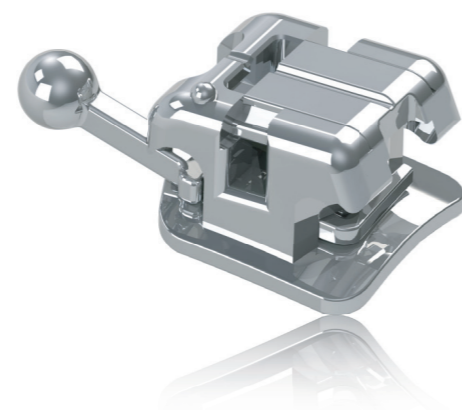
High-quality materials and precise engineering deliver long-term performance and stability.

Optimized Torque Control –

Designed for predictable tooth movement with Roth & MBT prescriptions.

Smooth and Secure Opening/Closing Mechanism –

Easy to operate while maintaining strong ligation.



Ideal for Orthodontists Who:

- Want an affordable yet high-quality self-ligating system;
- Prefer a bracket optimized for Roth & MBT techniques.
- Need a reliable, precision-engineered solution for efficient treatments.

Product Information

Series	Data	Code	Content
Star Lite	Roth	8201-20E-H1	• Upper&Lower 5-5
	MBT	83F6-20E-H1	

Roth		8201-20E-H1		Self-Ligating Bracket Standard - Type Mesh Base				
Tooth	Ang.	Torq.	Offset.	Thickness (In/Out)	Slot Length	Slot Width	Slot Depth	Hook
UL1/UR1	4°	17°	0°	0.8	3	0.56	0.76	/
UL2/UR2	8°	10°	0°	1.1	2.8	0.56	0.76	/
UL3/UR3	8°	0°	0°	0.8	2.8	0.56	0.76	/
UL4/UR4/UL5/UR5	0°	-7°	0°	0.8	2.8	0.56	0.76	/
LL1/LR1/LL2/LR2	0°	-6°	0°	1.1	2.8	0.56	0.76	/
LL3/LR3	3°	0°	0°	0.8	2.8	0.56	0.76	/
LL4/LR4	2°	-12°	0°	0.8	2.8	0.56	0.76	/
LL5/LR5	2°	-17°	0	0.8	2.8	0.56	0.76	/

MBT		83F6-20E-H1		Self-Ligating Bracket Standard - Type Mesh Base				
Tooth	Ang.	Torq.	Offset.	Thickness (In/Out)	Slot Length	Slot Width	Slot Depth	Hook
UL1/UR1	5°	12°	0°	0.90	3.10	0.56	0.72	/
UL2/UR2	9°	8°	0°	1.10	2.80	0.56	0.72	/
UL3/UR3	11°	0°	0°	0.80	2.80	0.56	0.72	/
UL4/UR4/UL5/UR5	0°	-7°	0°	1.00	2.80	0.56	0.72	/
LL1/LR1/LL2/LR2	0°	-1°	0°	1.20	2.80	0.56	0.72	/
LL3/LR3	5°	-11°	0°	0.80	2.80	0.56	0.72	/
LL4/LR4	0°	-17°	0°	1.00	2.80	0.56	0.72	/
LL5/LR5	0°	-22°	0°	1.00	2.80	0.56	0.72	/

STAR SERIES

Star Clear

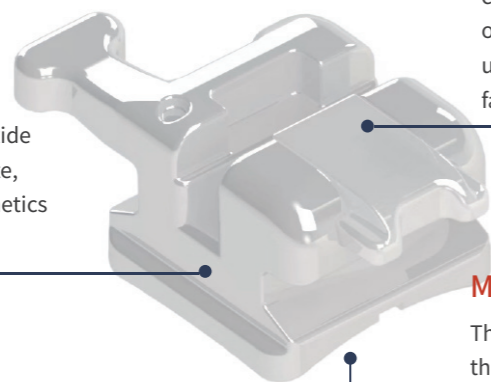
Technical Data



Product Features

Resistant to Discoloration

Made from full ceramic aluminum oxide material with lower color change rate, resistance to discoloration and aesthetics effortlessly.



Easy Ligating

Passive self-ligating structure with stable cover performance, making clinical operation simple. The concave structure under the wings increase the ligating space, facilitating ligation.

More Breakage Resistant

The integrated molding process enhances the bracket's strength, improving breakage resistance and reducing fragility.

The mesh base grid design increases bonding strength, making it less prone to.

Product Information

Series	Data	Code	Content
Star Clear	MBT	83FI-23G	• Upper & lower 5-5

MBT	83FI-23G	Self-Ligating Bracket Standard - Type Mesh Base			
Tooth	Ang.	Torq.	Offset.	Hook	
UL1/UR1	4°	17°	0°	/	
UL2/UR2	8°	10°	0°	/	
UL3/UR3	8°	-7°	0°	w	
UL4/UR4/UL5/UR5	0°	-7°	0°	/	
LL1/LR1/LL2/LR2	0°	-6°	0°	/	
LL3/LR3	3°	-6°	0°	w	
LL4/LR4	2°	-12°	0°	/	
LL5/LR5	2°	-17°	0°	/	

STAR SERIES

Star Speed (Active Self-Ligating)

Technical Data



Product Features

Solid Control

SS clip, securely fastened after multiple openings and closing

High Strength

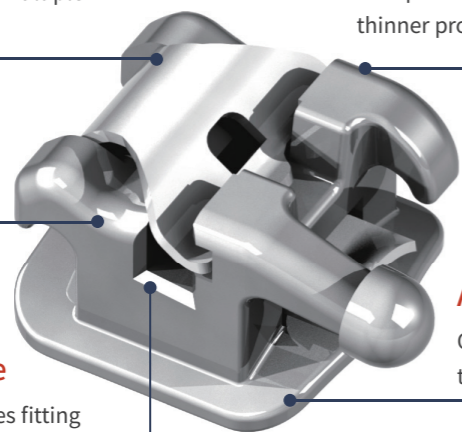
MIM process provides high strength and durability with precise dimensions, while rounded design and thinner profile enhance patient comfort

Convenient Ligating

Ample wing space to meet various clinical ligation need

Easy Insertion for Wire

Chamfered slot design simplifies fitting



Active Self-Ligating

Quickly aligns teeth initially, with stable torque control in the later stages

Product Information

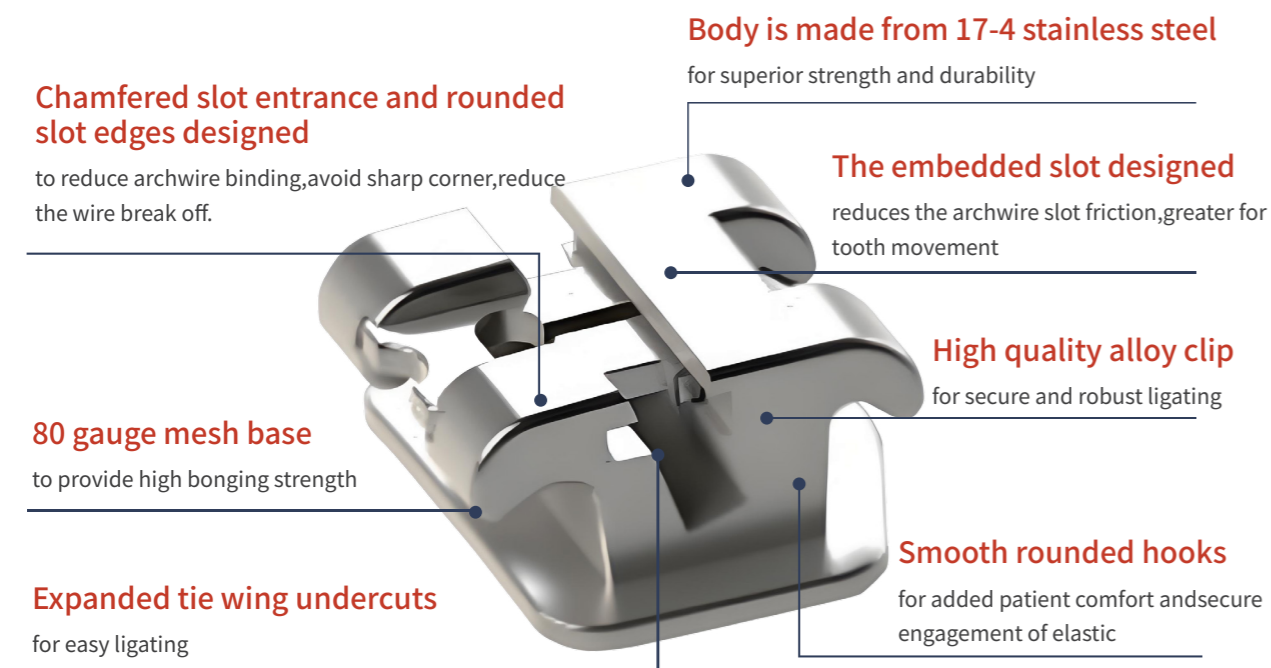
Series	Data	Code	Content
Star Speed	Roth	82K6-24E	• Upper & lower 5-5

Roth	82K6-24E	Active Self-Ligating Bracket Standard-Type Mesh Base			
Tooth	Ang.	Torq.	Offset.	Hook	
UL1/UR1	5°	12°	0°	/	
UL2/UR2	9°	8°	0°	/	
UL3/UR3	11°	-2°	0°	w	
UL4/UR4/UL5/UR5	0°	-7°	0°	w	
LL1/LR1/LL2/LR2	0°	-1°	0°	/	
LL3/LR3	5°	-11°	0°	w	
LL4/LR4	0°	-17°	0°	w	
LL5/LR5	0°	-22°	0°	w	

FLEX SERIES

- Use special opening tool or opening dental probe, simple and convenient;
- Clip can be directly closed with a finger, easy for operation;
- Reliable structural design to avoid clip deformation and falling problems;
- High flexible material ensure clip still maintain the original effect after open and close a hundred times.

Product Features



Product Information

Maxillary									
Tooth	Torq.	Ang.	MID Width	Hook	LIR	.018S lot	022S lot	.018 Slot	022 Slot
Central	12°	5°	3.2	—	UR1	82M3-10I-11	82M3-20I-11	82M4-10I-11	82M4-20I-11
					UL1	82M3-10I-21	82M3-20I-21	82M4-10I-21	82M4-20I-21
Lateral	8°	9°	2.7	—	UR2	82M3-10I-12	82M3-20I-12	82M4-10I-12	82M4-20I-12
					UL2	82M3-10I-22	82M3-20I-22	82M4-10I-22	82M4-20I-22
Cuspid	-2°	11°	3.0	—	UR3	82M3-10I-13	82M3-20I-13	82M4-10I-13	82M4-20I-13
				W		82M3-11I-13	82M3-21I-13	82M4-11I-13	82M4-21I-13
				—	UL3	82M3-10I-23	82M3-20I-23	82M4-10I-23	82M4-20I-23
				W		82M3-11I-23	82M3-21I-23	82M4-11I-23	82M4-21I-23
1st& 2nd Bicuspid	-7°	0°	2.9	—	UR4/5	82M3-10I-14	82M3-20I-14	82M4-10I-14	82M4-20I-14
				w		82M3-11I-14	82M3-21I-14	82M4-11I-14	82M4-21I-14
				—	UL4/5	82M3-10I-24	82M3-20I-24	82M4-10I-24	82M4-20I-24
				w		82M3-11I-24	82M3-21I-24	82M4-11I-24	82M4-21I-24
Mandibular									
Anteriors	-1°	0°	2.7	—	L12	82M3-10I-31	82M3-20I-31	82M4-10I-31	82M4-20I-31
Cuspid	11°	5°	2.9	—	LL3	82M3-10I-33	82M3-20I-33	82M4-10I-33	82M4-20I-33
				w		82M3-11I-33	82M3-21I-33	82M4-11I-33	82M4-21I-33
				—	LR3	82M3-10I-43	82M3-20I-43	82M4-10I-43	82M4-20I-43
				w		82M3-11I-43	82M3-21I-43	82M4-11I-43	82M4-21I-43
1st Bicuspid	-17°	0°	2.9	—	LL4	82M3-10I-34	82M3-20I-34	82M4-10I-34	82M4-20I-34
				w		82M3-11I-34	82M3-21I-34	82M4-11I-34	82M4-21I-34
				—	LR4	82M3-10I-44	82M3-20I-44	82M4-10I-44	82M4-20I-44
				w		82M3-11I-44	82M3-21I-44	82M4-11I-44	82M4-21I-44
2nd Bicuspid	-22°	0°	2.9	—	LL5	82M3-10I-35	82M3-20I-35	82M4-10I-35	82M4-20I-35
				w		82M3-11I-35	82M3-21I-35	82M4-11I-35	82M4-21I-35
				—	LR5	82M3-10I-45	82M3-20I-45	82M4-10I-45	82M4-20I-45
				w		82M3-11I-45	82M3-21I-45	82M4-11I-45	82M4-21I-45

Product Information

Bracket Kits		
	0.018	0.022
Upper/Lower 5x5 No Hook	82M3-10I	82M3-20I
Upper/Lower 5x5 Hook on 3	82M3-13I	82M3-23I
Upper/Lower 5x5 Hook on 3,4,& 5	82M3-15I	82M3-25I

Maxillary									
Tooth	Torq.	Ang.	MID Width	Hook	L/R	.018S lot	.022S lot	.018 Slot	.022 Slot
Central	17°	4°	3.2	—	UR1	83M3-10I-11	83M3-20I-11	83M4-10I-11	83M4-20I-11
					UL1	83M3-10I-21	83M3-20I-21	83M4-10I-21	83M4-20I-21
Lateral	10°	8°	2.7	—	UR2	83M3-10I-12	83M3-20I-12	83M4-10I-12	83M4-20I-12
					UL	83M3-10I-22	83M3-20I-22	83M4-10I-22	83M4-20I-22
Cuspid	-7°	8°	3.0	—	UR3	83M3-10I-13	83M3-20I-13	83M4-10I-13	83M4-20I-13
	0					83M3-11I-13	83M3-21I-13	83M4-11I-13	83M4-21I-13
	-7°				UL3	83M3-10I-23	83M3-20I-23	83M4-10I-23	83M4-20I-23
	0					83M3-11I-23	83M3-21I-23	83M4-11I-23	83M4-21I-23
1st& 2nd Bicuspid	-7°	0°	2.9	—	UR4/5	83M3-10I-14	83M3-20I-14	83M4-10I-14	83M4-20I-14
						83M3-11I-14	83M3-21I-14	83M4-11I-14	83M4-21I-14
					UL4/5	83M3-10I-24	83M3-20I-24	83M4-10I-24	83M4-20I-24
						83M3-11I-24	83M3-21I-24	83M4-11I-24	83M4-21I-24

Product Information

Maxillary									
Tooth	Torq.	Ang.	MID Width	Hook	L/R	.018Slot	.022Slot	.018 Slot	.022 Slot
Anteriors	-6°	0°	2.7	—	L12	83M3-10I-31	83M3-20I-31	83M4-10I-31	83M4-20I-31
Cuspid	-6°	3°	2.9	—	LL3	83M3-10I-33	83M3-20I-33	83M4-10I-33	83M4-20I-33
	0°					83M3-11I-33	83M3-21I-33	83M4-11I-33	83M4-21I-33
	-6°			—	LR3	83M3-10I-43	83M3-20I-43	83M4-10I-43	83M4-20I-43
	0°					83M3-11I-43	83M3-21I-43	83M4-11I-43	83M4-21I-43
1st Bicuspid	-12°	2°	2.9	—	LL4	83M3-10I-34	83M3-20I-34	83M4-10I-34	83M4-20I-34
						83M3-11I-34	83M3-21I-34	83M4-11I-34	83M4-21I-34
				—	LR4	83M3-10I-44	83M3-20I-44	83M4-10I-44	83M4-20I-44
						83M3-11I-44	83M3-21I-44	83M4-11I-44	83M4-21I-44
2nd Bicuspid	-17	2°	2.9	—	LL5	83M3-10I-35	83M3-20I-35	83M4-10I-35	83M4-20I-35
						83M3-11I-35	83M3-21I-35	83M4-11I-35	83M4-21I-35
				—	LR5	83M3-10I-45	83M3-20I-45	83M4-10I-45	83M4-20I-45
						83M3-11I-45	83M3-21I-45	83M4-11I-45	83M4-21I-45

Bracket Kits		
	0.018	0.022
Upper/Lower 5x5 No Hook	83M3-10I	83M3-20I
Upper/Lower 5x5 Hook on 3	83M3-13I	83M3-23I
Upper/Lower 5x5 Hook on 3,4,& 5	83M3-15I	83M3-25I

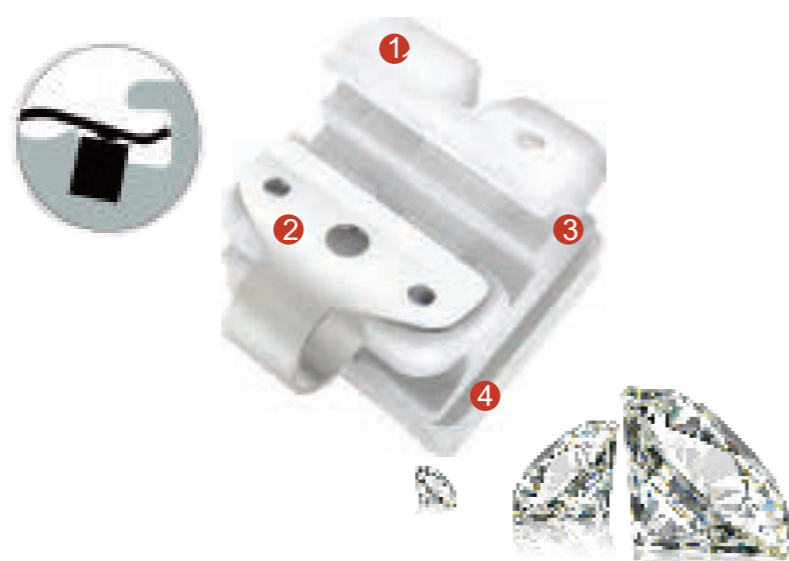
FLEX-C Series

ROTH

Tooth	Torq.	Ang.	M/D Width	Hook	L/R	.022 Slot
Maxillary						
Central	12°	5°	3.1	—	UR1	82FH-20G-11
					UL18°	82FH-20G-21
Lateral	8°	9°	2.85	—	UR2	82FH-20G-12
					- UL27°	82FH-20G-22
Cuspid	-2°	11°	3.4	W	UR3	82FH-21G-13
				W	UL3	82FH-21G-23
1st& 2nd Bicuspid	-7°	0°	3.1	W	UR45	82FH-21G-14
				W	UL45	82FH-21G-24
Mandibular						
Anteriors	-1°	0°	2.85	—	L12	82FH-20G-31
Cuspid	-11°	7°	3.5	W	LL3	82FH-21G-33
				W	LR3	82FH-21G-43
1st Bicuspid	-17°	0°	3.2	W	LL4	82FH-21G-34
				W	LR4	82FH-20G-44
2nd Bicuspid	-22°	0°	3.2	W	LL5	82FH-21G-35
				W	LR5	82FH-20G-45

Bracket Kits	
	0.022
Upper/Lower 5x5 Hook on 3,4,& 5	82FH-25G

- ① Body rounding for patients' comfort
- ② Round ball contact engineering method on specialized clip for less wire contact and best sliding effect
- ③ Low profile height for patients' less foreign body sensation
- ④ The optimal base for superior at bonding/ debonding



FLEX-C Series

MBT*

Tooth	Torq.	Ang.	M/D Width	Hook	L/R	.022 Slot
Maxillary						
Central	17°	4°	3.5	—	UR1	83FH-20G-11
					UL1	83FH-20G-21
Lateral	10°	8°	3.0	—	UR2	83FH20G-12
					UL2	83FH-20G-22
Cuspid	0°	8°	3.5	W	UR3	83FH-21G-13
				W	UL3	83FH-21G-23
1st& 2nd Bicuspid	-7°	0°	3.2	W	UR4	82FH-21G-14
				W	UL4	82FH-21G-24
				W	UR5	82FH-21G-15
				W	UL5	82FH-21G-25
				W	UL5	82FH-21G-25
Mandibular						
Anteriors	-6°	0°	2.5	—	LL1/2	83FH-20G-31
					LR1/2	83FH-20G-41
Cuspid	0°	3°	3.5	W	LL3	83FH-21G-33
				W	LR3	83FH-21G-43
1st Bicuspid	-12°	2°	3.2	W	LL4	83FH-21G-34
				W	LR4	83FH-21G-44
2nd Bicuspid	-17°	2°	3.2	W	LL5	83FH-21G-35
				W	LR5	83FH-21G-45

Bracket Kits	
	0.022
Upper/Lower 5x5 Hook on 3,4,& 5	83FH-25G

Identification system



Andrews Series

The Perfect Interpretation of the Six Keys to Optimal Occlusion



Inventor

Dr. Lawrence F. Andrews

- The Founder of Straight-Wire Brackets
- Originator of the Six Normative Standards for Occlusion
- President of American Association of Orthodontists(AAO)

● Ideal for Orthodontists Who:

Seek accurate and efficient treatment with minimal wire adjustments; Require a bracket system tailored to the principles of optimal occlusion; Handle complex orthodontic cases requiring advanced force control.



● About Andrews Brackets

Why Choose Andrews Self-Ligating Brackets?		
Feature	Andrews	Others
Data	Designed based on the Six Keys to Occlusion	Generic bracket design
Slot Design	Extended slot enhances archwire engagement	Standard slot
Material	High-quality U.S. stainless steel	Varies and lack durability
Reliability	Smooth and durable ligation mechanism	Risk of breakage over time

Product Features

Precision Tooth Movement Based on the Six Keys to Occlusion

Ensures ideal tooth positioning and occlusal outcomes with Andrews' scientifically proven theory.

Exclusive Data Alignment with the Straight-Wire Concept

Designed in full accordance with Andrews' straight-wire technique, minimizing the need for wire bending.

Extended Slot Design +Optional High-Pull Hooks

Provides superior archwire engagement, optimizing force distribution.

High-pull hooks allow flexible clinical applications for complex cases.

Premium U.S. Stainless Steel for Durability & Reliable Performance

Exceptional wear resistance and smooth opening/closing mechanism for long-term clinical reliability.



Description	Tooth	$\alpha \pm 2^\circ$	$\theta \pm 2^\circ$	$li \pm 0.20$	$ls \pm 0.20$	$d \pm 0.20$	$h0 + 0.06$
AS1-Momentum Standard Andrews Bracket Standard - Type Mesh base	U1	5°	12°	0.65	3.80	0.70	0.56/0.46
	U2	9°	8°	0.75	3.00	0.70	0.56/0.46
	U3	10°	-7°	0.50	3.80	0.70	0.56/0.46
	U4	2°	-7°	0.70	3.70	0.70	0.56/0.46
	U5	2°	-7°	0.70	3.20	0.7	0.56/0.46
	L1/L2	2°	-6°	0.70	3.00	0.68	0.56/0.46
	L3	4°	-11°	0.50	3.20	0.70	0.56/0.46
	L4	2°	-17°	0.60	3.00	0.70	0.56/0.46
	L5	2°	-22°	0.70	3.00	0.70	0.56/0.46
ASL-Momentum Translation Andrews Standard-Type Mesh Base (T1, T2, T3, T4)	U1	5°	12°	0.65	3.80	0.70	0.56/0.46
	U2	9°	8°	0.75	3.00	0.70	0.56/0.46
	U3	12°	-7°	0.50	3.80	0.70	0.56/0.46
	U4	4°	-7°	0.70	3.40	0.70	0.56/0.46
	U5	0°	-7°	0.70	3.40	0.70	0.56/0.46
	L1/L2	2°	-6°	0.70	3.00	0.68	0.56/0.46
	L3	6°	-11°	0.50	3.30	0.70	0.56/0.46
	L4	4°	-17°	0.60	3.00	0.70	0.56/0.46
	L5	0°	-22°	0.70	3.00	0.70	0.56/0.46

Product Information

Series	Data	Code	Content
Andrews	ASL-Momentum Standard	8K10-25E	• Upper & Lower 5-5
	ASL-Momentum Translation	8K12-25E	

PASS® SERIES

Orthodontic design tailored for adolescents



Inventor

Xu Tianmin Professor

Department of Orthodontic, Peking University School of Stomatology

Chief Physician, Professor, and PhD Supervisor of the Department of Orthodontics, Peking University School of Stomatology

Part-time Professor of Orthodontics at Case Western Reserve University, USA Deputy Secretary-General of the Chinese Stomatological Association

Director of the World Federation of Orthodontists (WFO)

Research Achievements

Pioneered by the Orthodontics team of Peking University Secured both national and international patents Awarded domestic science & technology progress prizes



About PASS®

Innovative orthodontic techniques for the aesthetic facial features of Asian adolescents

Product Features

PASS® Self-Ligating Bracket

World-leading Philosophy and Technology

Smoother -Utilize the developmental characteristics of adolescents to redefine the final position of molars
Simpler-Reduce the extraction ratio with simple procedures
Faster-Shorten treatment time and the frequency of follow-up visits

Digital

Targeted production process controlling by a Swiss-imported seven-axis five-linkage CNC machining center

Healthy

Physiological-oriented
Comfortable wearing Lower risk of re-correction

Elite

Less soft tissue irritation by nanoscale-polishing technology

Credible

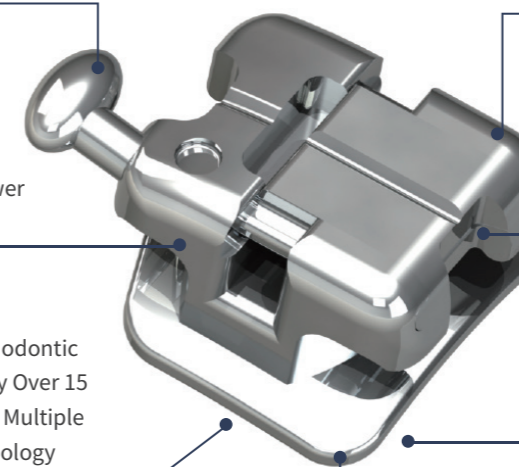
Original work by the Orthodontic Team of Peking University Over 15 years of clinical practices Multiple national science & technology improvement prizes

Stable

Lower risk of detachment by micro-etching technology in mesh base

Efficient

Shorter treatment time
Steady effect

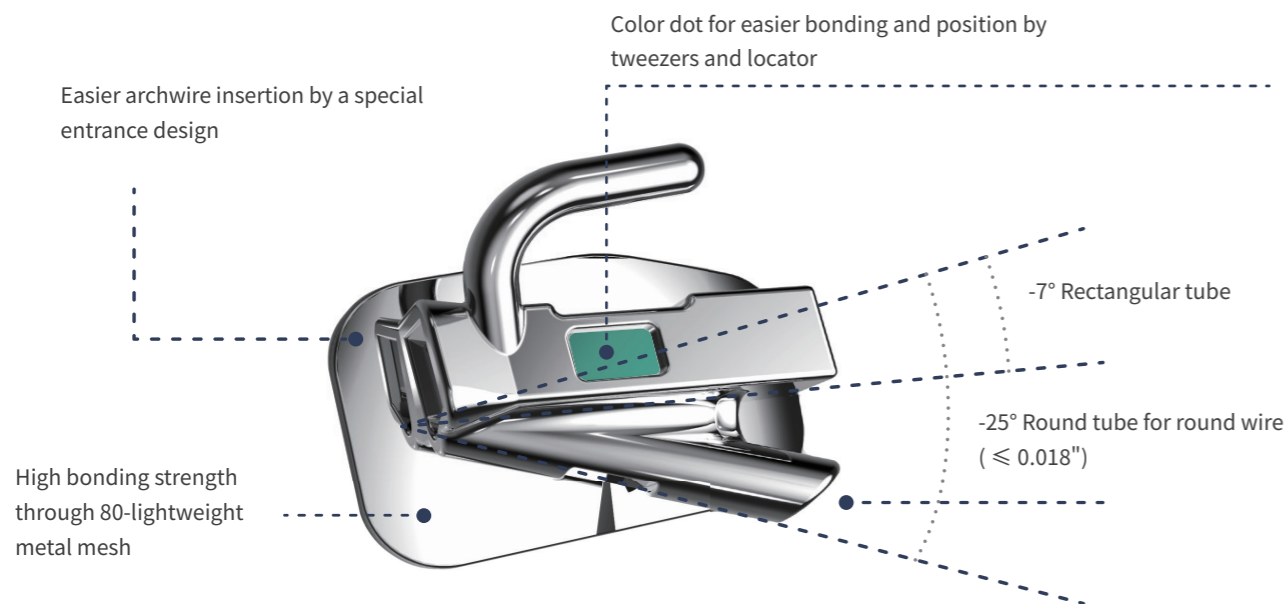


Product Features

PASS® XBT - Buccal Tube

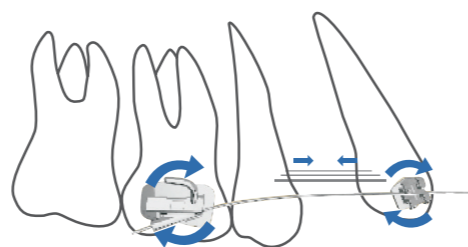
The crossing of round and rectangular tubes

The double posterior-tilted tubes design ensures that the dominant moment is always on the anchorage molars, providing a continuous posterior-tilting force from fine nickel-titanium wire to coarse rectangular wire throughout the entire treatment and preventing the loss of physiological anchorage.



XBT - The simplest method to preserve anchorage

Current lightweight low-friction appliances not only make the movement of anterior teeth simple and rapid, but they also lead to the loss of molar anchorage with equal efficiency. However, in the XBT buccal tube, from the first nickel-titanium round wire to the last stainless steel rectangular wire exerts a torque that tilts the molars posteriorly.



Product Information

Series	Data	Code	Content
PASS®	PASS	8D21-40E	• Brackets of Upper&Lower 5-5 • Buccal tubes of teeth positions 6&7

PASS	8D21-40E	Physiological Anchorage Self-Ligating Bracket Standard-Type Mesh Base		
Tooth	Ang.	Torq.	Offset.	Hook
UL1/UR1	2°	14°	0°	/
UL2/UR2	4°	12°	0°	/
UL3/UR3	5°	-2°	0°	w
UL4/UR4	-1°	-5°	0°	/
UL5/UR5	-3°	-5°	0°	/
LL1/LR1/LL2/LR2	0°	-3°	0°	/
LL3/LR3	3°	-2°	0°	w
LL4/LR4	0°	-10°	0°	/
LL5/LR5	-2°	-15°	0°	/

TRANSMISSION SERIES

Efficient, Gentle, and Healthy Orthodontic Treatment



Inventor

Lin Jiuxiang Professor

Department of Orthodontics, Peking University School of Stomatology

Professor, Chief Physician, and Doctoral Supervisor at Peking University School of Stomatology

Current Director of the Peking University Craniofacial Growth and Development Research Center

Editor-in-Chief of the Chinese Journal of Orthodontics Visiting Professor at Case Western Reserve University, USA Former Vice President of Peking University, Vice President of Beijing Medical University, and Executive Deputy Secretary of the Party Committee

Former Chairman of the Orthodontic Committee of the Chinese Stomatological Association

Research Achievements

Developed by the renowned orthodontic team at Peking University Recognized as one of the "Top 100 Technologies for Promotion" by the Ministry of Health over ten years Awarded the Second Prize of the Chinese Medical Science and Technology Award Recipient of multiple domestic science and technology progress awards



About Transmission

The Transmission Self-Ligating Orthodontic Technology is an innovative fixed appliance and technique developed by Professor Lin Jiuxiang, a doctoral supervisor at Peking University.

The Transmission Appliance is available in Standard and Type III models:

Standard Type: Suitable for treating Class I and Class II malocclusions.

Type III: Designed for treating Class III malocclusions..

The Transmission Appliance is a zero-friction orthodontic device, allowing for the application of efficient, gentle forces (approximately 60 grams). By combining the high-efficiency transmission effect principle, it forms the Transmission Orthodontic Technology, which utilizes only efficient physiological dental anchorage. This enables tooth movement, including full-arch adjustments, without the need for implants, extraoral forces, palatal bars, tongue-mediated anchorage, or the complex bending of MEAW (Multiloop Edgewise Archwire) curves. The appliance effectively improves facial aesthetics and rapidly achieves the desired aesthetic outcomes.

The three major advantages of the transmission appliance are: gentle force, high efficiency and stability.

Technical data

Standard Type I

Standard Type II

Standard Type III

Product Features

Simple

Utilizing a patented self-ligating structure, it reduces chairside operation time, making clinical procedures simpler and more efficient.

Short treatment time

The design of the 3rd tooth position with a beveled slot allows for rapid tilting and sliding, helping the teeth align quickly.

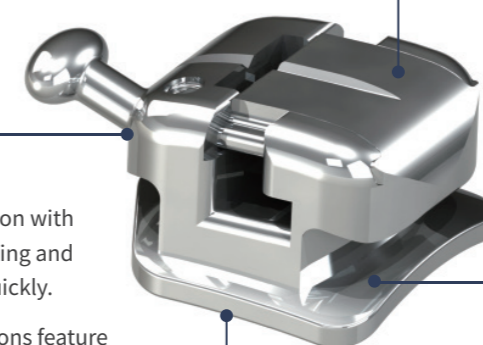
The 3rd, 4th, and 5th tooth positions feature integrated hooks with a rounded shape, enhancing comfort during wear.

High strength

The bracket body, cover, and buccal tube are all made using MIM technology. The bracket and base are joined with a four-side laser welding process, offering high strength, precision, and durability.

Large space

The wide ligating wing design provides space for different ligation methods in the later stages of treatment.



Product Information

Series	Data	Code	Content
Transmission	Standard Type I	8681-25E	• Upper & lower 5-5
	Standard Type II	8671-25E	
	Standard Type III	8661-25E	

Standard Type I 8681-25E	Transmission Self-Ligating Bracket Standard-Type I Mesh Base			
Tooth	Ang.	Torq.	Offset.	Hook
UL1/UR1	4°	22°	0°	/
UL2/UR2	7°	18°	0°	/
UL3/UR3	11°	-3°	0°	w
UL4/UR4/UL5/UR5	3°	-7°	0°	w
LL1/AR1/LL2/LR2	0°	-2°	0°	/
LL3/LR3	2.5°	-7°	0°	w
LL4/LR4	2°	-13°	0°	w
LL5/LR5	2°	-18°	0°	w

Standard Type II 8671-25E	Transmission Self-Ligating Bracket Standard-Type II Mesh Base			
Tooth	Ang.	Torq.	Offset.	Hook
UL1/UR1	4°	22°	0°	/
UL2/UR2	7°	18°	0°	/
UL3/UR3	11°	-3°	0°	w
UL4/UR4/UL5/UR5	3°	-7°	0°	w
LL1/AR1/LL2/LR2	0°	-2°	0°	/
LL3/LR3	2.5°	-7°	0°	w
LL4/LR4	2°	-13°	0°	w
LL5/LR5	2°	-18°	0°	w

Standard Type III 8661-25E	Transmission Self-Ligating Bracket Standard-Type III Mesh Base			
Tooth	Ang.	Torq.	Offset.	Hook
UL1/UR1	4°	24°	0°	/
UL2/UR2	6°	19°	0°	/
UL3/UR3	12°	0°	0°	w
UL4/UR4/UL5/UR5	5°	-5°	0°	w
LL1/AR1/LL2/LR2	0°	-5°	0°	/
LL3/LR3	0°	-10°	0°	w
LL4/LR4	2°	-25°	0°	w
LL5/LR5	2°	-25°	0°	w

DSA® SERIES

Aesthetic/Efficient/Digital

About DSA

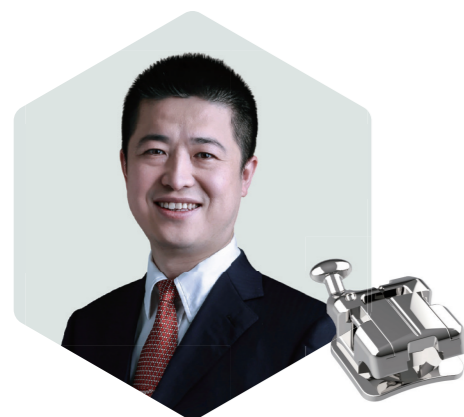
DSA — Dynamic Self-Adaptive

Given the principles of orthodontic biomechanics, integrate intrinsic and extrinsic forces to control the movement of tilted teeth in order to accommodate growth and developmental potential, thereby providing adaptive corrective forces for different types of tooth movements at various stages of treatment.

This aims to achieve safe and efficient target occlusal reconstruction, ultimately resulting in stable and healthy functional aesthetic outcomes for the dental arch, balancing efficacy and efficiency.

Free tilting movement of the dental crowns during the alignment and leveling phase

A 0.012-inch round wire tilts freely by 20° without deformation ; a 0.014-inch round wire tilts freely by 15° without deformation

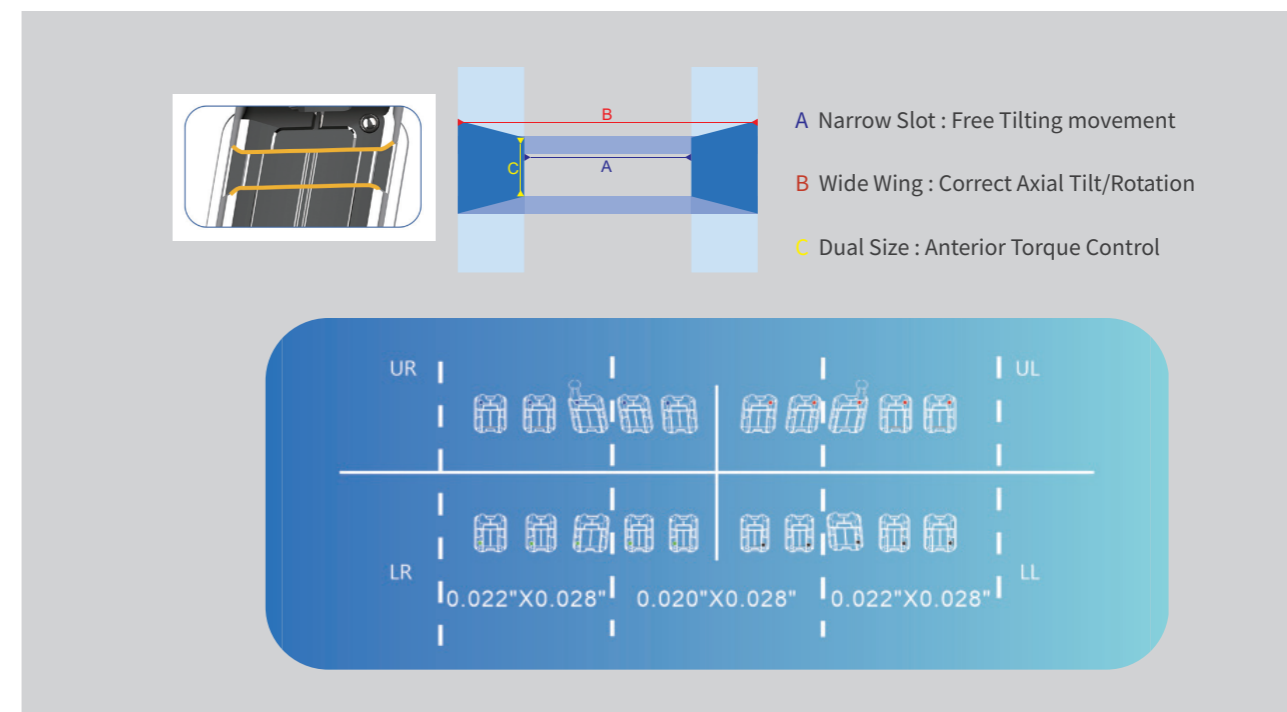


Inventor

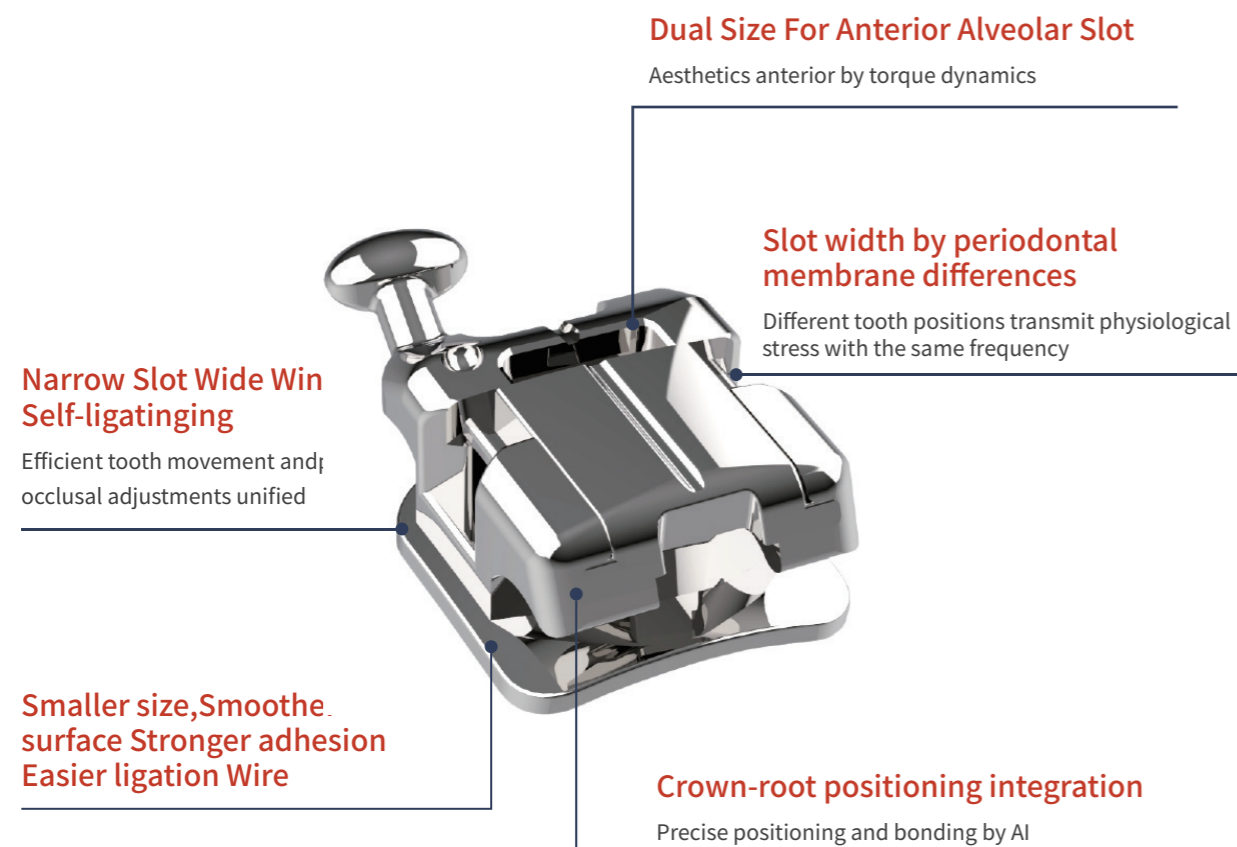
Han Xianglong Professor

Dean of West China School of Stomatology, Sichuan University; Doctoral Supervisor

Fellow of the Edward H. Angle Orthodontic Society (EHASO), Fellow of the International College of Dentists (ICD), Vice Chairman of the Aesthetic Dentistry Committee of the Chinese Stomatological Association Member of the Orthodontic Committee of the Chinese Stomatological Association, Published over 100 academic papers, and holds 15 granted patents



Product Features



Product Information

Series	Data	Code	Content
DSA	DSA	8400-43E	• Upper & lower 5-5

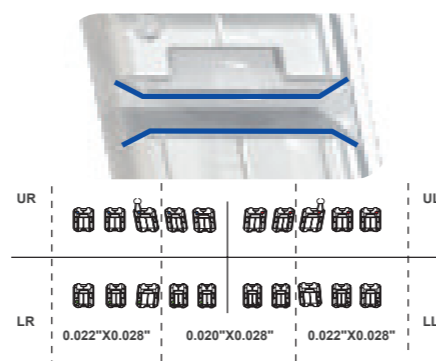
DSA	82K6-24E	DSA Self-Ligating Bracket Standard-Type Mesh Base			
Tooth	Ang.	Torq.	Offset.	Hook	
UL1/UR1	5°	12°	0°	/	
UL2/UR2	9°	8°	0°	/	
UL3/UR3	11°	0°	-4°	w	
UL4/UR4/UL5/UR5	0°	-7°	2°	/	
LL1/LR1/LL2/LR2	0°	-1°	0°	/	
LL3/LR3	5°	-3°	-2°	w	
LL4/LR4	0°	-12°	4°	/	
LL5/LR5	0°	-17°	4°	/	

Bio-ArtClear Series



Ceramic Self-Ligating Bracket

Aesthetics | Efficiency | Invisibility | Digitization



► NARROW SLOT AND WDE WING DESIGN

- The narrow slot and wide wing design is conducive to berefned adjustment of occlusion.

- In the early stage of treatment, the insertion of arch wire is more softer, which greatly improves the comfort.

► DIFFERENTIAL TORQUE DESIGN

- Intervene in the torque control of the anterior teeth earlier, express more fully, and give the anterior teeth aesthetic control.

► PHYSIOLOGICAL BASE DESIGN

- The width of the base is designed according to the difference of the PDL area of different tooth to help different tooth feel and transmit the stress of physiological tooth movement at the same frequency.
- The base curvature is designed according to the shape of the different tooth surface, and the tooth surface is fit and easy to bond.
- The base adopts a new covering sandblasting process, the bonding distribution is more uniform, the bonding strength is guaranteed, and the overall peeling is easy.

► SOPHISTICATED STRUCTURE DESIGN

- The overall thinner design effectively reduces occlusal interference, and the bracket is not easy to be bitten off during the treatment process.
- Taking into account the sufficient space for ligation under the wing, it can meet the needs of clinical treatment ligation.
- The self-ligating clip is made of the same material as the bracket, which is strong, durable and integrated.

Ceramic Self-Ligating Bracket

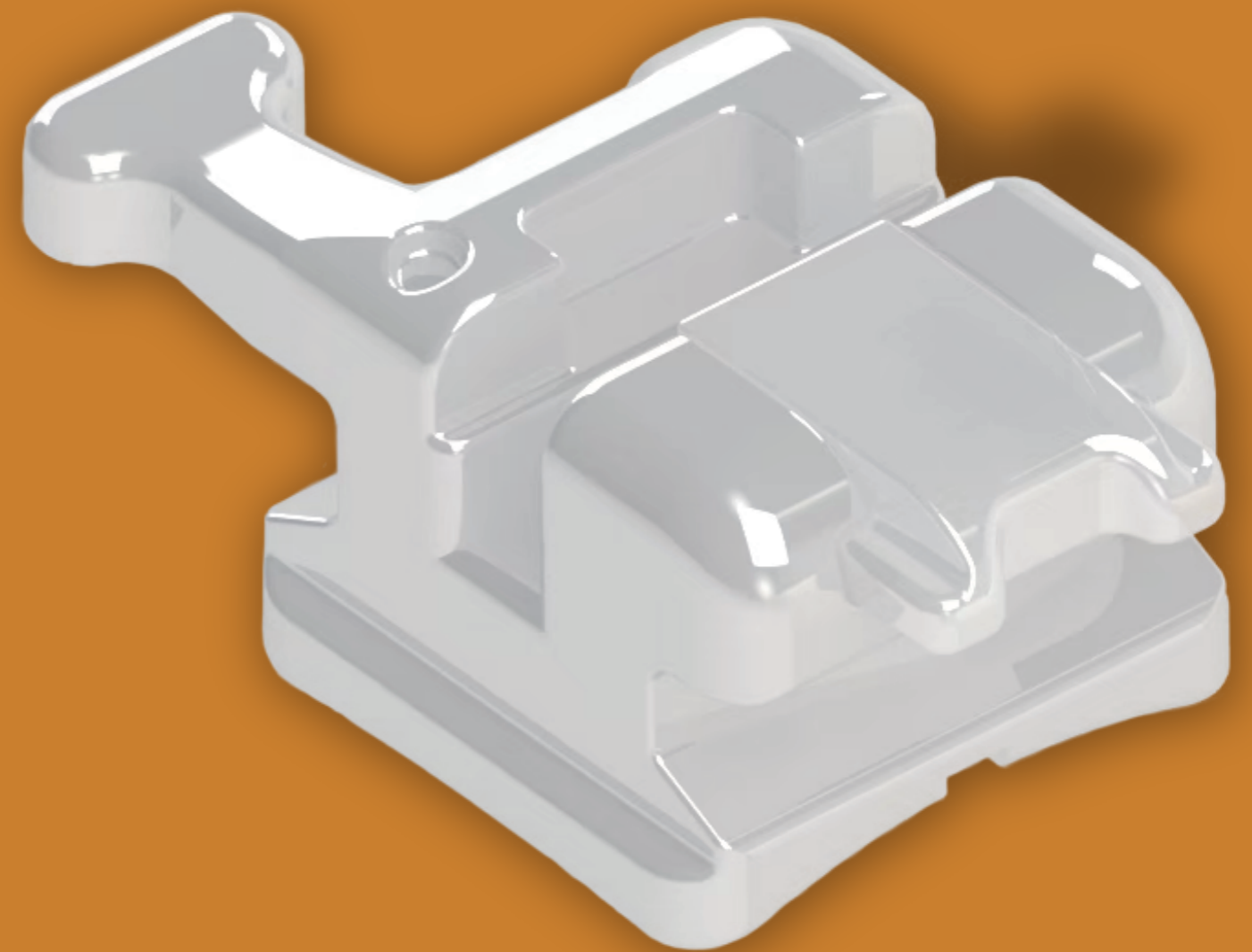
Tooth	Torq.	Ang.	Offset.	M/D Width	Hook	L/R	.020 Slot	.022 Slot
Maxillary								
Central	12°	5°	0°	0.50	—	UR1	84FI-30R-11	—
						UL1	84FI-30R-21	—
Lateral	8°	9°	0°	0.50	—	UR2	84FI-30R-12	—
						UL2	84FI-30R-21	—
Cuspid	0°	11°	-4°	0.56	—	UR3	—	84FI-21R-13
					W			
					—			
1st & 2nd Bicuspid	-7°	0°	2°	0.56	—	UR4/5	—	84FI-20R-14
					—			
Mandibular								
Anteriors	-1°	0°	0°	0.5	—	L12	84FI-30R-31	—
Cuspid	-3°	5°	-2°	0.56	—	LL3	—	84FI-20R-33
						LR3	—	84FI-20R-43
1st Bicuspid	-12°	0°	4°	0.56	—	LL4	—	84FI-20R-34
						LR4	—	84FI-20R-44
2nd Bicuspid	-17°	0°	4°	0.56	—	LL5	—	84FI-20R-35
						LR5	—	84FI-20R-45

Bracket Kits	
	0.022 Slot
5x5, with no hook	8201 - 20E
5x5, with hook on 3	8201 - 23E
5x5, with hook on 3,4,5	8201 - 25E

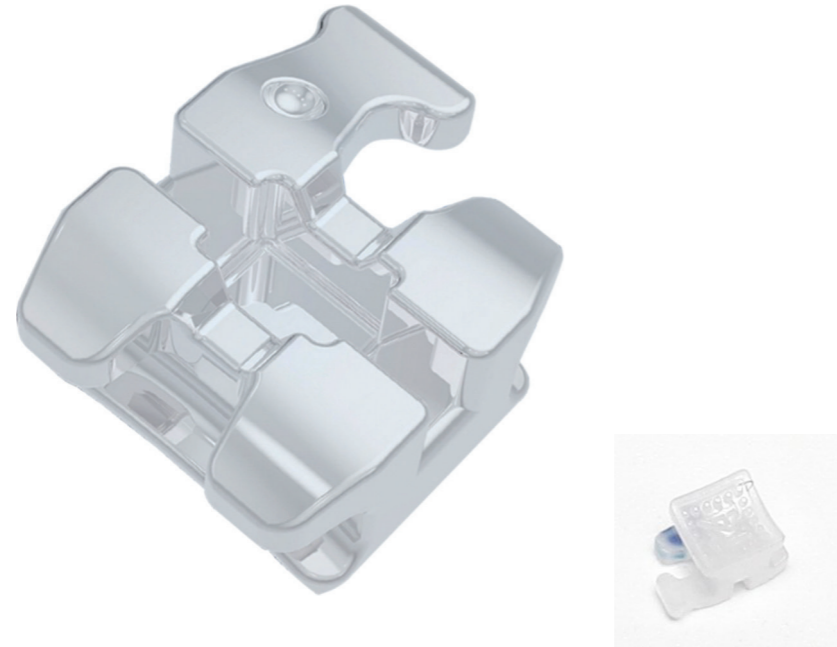
CERAMIC BRACKETS

CERAMIC BRACKETS

- GALAXY C SERIES 56
- GALAXY ICLEAR SERIES 58
- ICE SERIES 60



GALAXY C Series



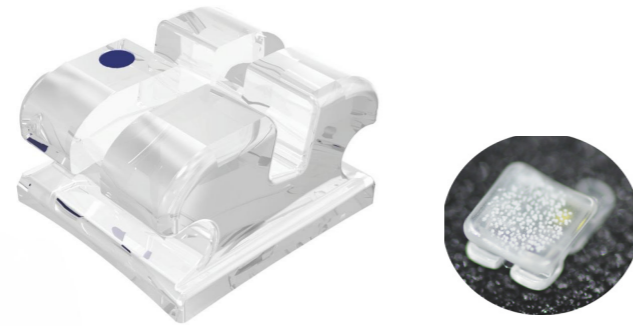
- True twin wings for flexible treatment and ligation rounded edge for patient comfort.
- Hollow design in slot centre to reduce the frictional force.
- Chamfered base for easy debonding.
- Ceramic Injection Method(CIM Method) to be remarkable durability.
- Vertical scribe line for easy and accurate positioning.

Galaxy C Series

ROTH

Tooth	Torq.	Ang.	M/D Width	Hook	L/R	.022 Slot
Maxillary						
Central	12°	5°	3.5	—	UR1	821H-20N-11
					UL1	821H-20N-21
Lateral	8°	9°	3.1	—	UR2	821H-20N-12
					UL2	821H-20N-22
Cuspid	0°	11°	3.4	—	UR3	821H-20N-13
				w		821H-21N-13
				—	UL3	821H-20N-23
				w		821H-21N-23
1st& 2nd Bicuspid	-7°	0°	3.1	—	UR45	821H-20N-14
				w		821H-21N-14
				—	UL45	821H-20N-24
				w		821H-21N-24
Mandibular						
Anteriors	-1°	0°	2.9	—	L12	821H-20N-31
Cuspid	-11°	7°	3.4	—	LL3	821H-20N-33
				w		821H-21N-33
				—	LR3	821H-20N-43
				w		821H-21N-43
1st Bicuspid	-17°	0°	3.1	—	LL4	821H-20N-34
				w		821H-21N-34
				—	LR4	821H-20N-44
				w		821H-21N-44
2nd Bicuspid	-22°	0°	3.1	—	LL5	821H-20N-35
				w		821H-21N-35
				—	LR5	821H-20N-45
				w		821H-21N-45
Bracket Kits						
					0.022	
Upper/Lower 5x5 No Hook					821H-20N	
Upper/Lower 5x5 Hook on 3					821H-23N	
Upper/Lower 5x5 Hook on 3,4,&5					821H-25N	

Galaxy Iclear Series



Galaxy Iclear Series

ROTH

Tooth	Torq.	Ang.	M/D Width	Hook	L/R	.018 Slot	.022 Slot
Maxillary							
Central	12°	5°	3.5	—	UR1	821H-10J-11	821H-20J-11
					UL1	821H-10J-21	821H-20J-21
Lateral	8°	9°	3.2	—	UR2	821H-10J-12	821H-20J-12
					UL2	821H-10J-22	821H-20J-22
Cuspid	-2°	11°	3.3	w	UR3	821H-11J-13	821H-21J-13
				w	UL3	821H-11J-23	821H-21J-23
1st& 2nd Bicuspid	-7°	0°	3.0	—	UR45	821H-10J-14	821H-20J-14
				w		821H-11J-14	821H-21J-14
				—	UL45	821H-10J-24	821H-20J-24
				w		821H-11J-24	821H-21J-24
Mandibular							
Anteriors	0°	0°	2.8	—	L12	821H-10J-31	821H-20J-31
Cuspid	-11°	7°	3.3	w	LL3	821H-11J-33	821H-20J-33
				w	LR3	821H-11J-43	821H-21J-43
1st Bicuspid	-17°	0°	3.2	—	LL4	821H-10J-34	821H-20J-34
				w		821H-11J-34	821H-21J-34
				—	LR4	821H-10J-44	821H-20J-44
				w		821H-11J-44	821H-21J-44
2nd Bicuspid	-22°	0°	3.2	—	LL5	821H-10J-35	821H-20J-35
				w		821H-11J-35	821H-21J-35
				—	LR5	821H-10J-45	821H-20J-45
				w		821H-11J-45	821H-21J-45
Bracket Kits							
						0.018	0.022
Upper/Lower 5x5 Hook on 3						821H-13J	821H-23J
Upper/Lower 5x5 Hook on 3,4,& 5						821H-15J	821H-25J

Galaxy Iclear Series

MBT*

Tooth	Torq.	Ang.	M/D Width	Hook	L/R	.018 Slot	.022 Slot
Maxillary							
Central	17°	4°	3.5	—	UR1	831H-10J-11	831H-20J-11
					UL1	831H-10J-21	831H--20J-21
Lateral	10°	8°	3.2	—	UR2	831H-10J-12	831H--20J-12
					UL2	831H-10J-22	831H-20J-22
Cuspid	0°	8°	3.5	w	UR3	831H-11J-13	831H-21J-13
				w	UL3	831H-11J-23	831H-21J-23
1st& 2nd Bicuspid	-7°	0°	3.2	—	UR45	831H-10J-14	831H-20J-14
				w		831H-11J-14	831H-21J-14
				—	UL45	831H-10J-24	831H-20J-24
				w		831H-11J-24	831H-21J-24
Mandibular							
Anteriors	-6°	0°	2.8	—	L12	831H-10J-31	831H-20J-31
Cuspid	0°	3°	3.6	w	LL3	831H-11J-33	831H-21J-33
				w	LR3	831H-11J-43	831H-21J-43
1st Bicuspid	-12°	2°	3.2	—	LL4	831H-10J-34	831H-20J-34
				w		831H-11J-34	831H-21J-34
				—	LR5	831H-10J-44	831H-20J-44
				w		831H-11J-44	831H-21J-44
2nd Bicuspid	-17°	2°	3.2	—	LL5	831H-10J-35	831H-20J-35
				w		831H-11J-35	831H-21J-35
				—	LR5	831H-10J-45	831H--20J-45
				w		831H-11J-45	831H-21J-45
Bracket Kits							
						0.018	0.022
Upper/Lower 5x5 Hook on 3						831H-13J	831H-23J
Upper/Lower 5x5 Hook on 3,4,& 5						831H-15J	831H-25J

- ① True twin wings and low profile design for excellent performance
- ② Rounded edge and full body coating for ultra smooth patients' comfort
- ③ The world's first 2 step groove for easy and accurate positioning
- ④ Plasma silica coating in the slot for superior sliding and minimize fracture
- ⑤ Half base coating for superior retention and easy debonding



ICE series

ICE SERIES

•LOW PROFILE •BEAUTIFUL •ACCURATE



Ice series

ROTH

Maxillary				Mandibular			
Tooth	Torq.	Ang.	M/D Width	Tooth	Tooth	M/D Width	M/D Width
Central	12°	5°	3.3	Anteriors	-1	0°	2.3
Lateral	8°	9°	2.7	Cuspid	-11°	5°	3.3
Cuspid	11°	0°	3.3	1st Bicuspid	-17°	0°	3.1
1st & 2nd Bicuspid	-7°	0°	3.1	2nd Bicuspid	-22°	0°	3.1

Product Advantages:

Glittering and translucent shape can effectively avoid coffee, red wine and other material dyeing, to meet the patient's pursuit of beauty. The most advanced production process brings the ceramic brackets better flexibility and higher strength.

► Beautiful

Crystal shape, perfectly reducing the coloring rate.

► Low profile

Optimization of slot, solid walls to light and efficient movement the teeth.

The unique base line and auxiliary slot design, more conducive to remove the brackets.

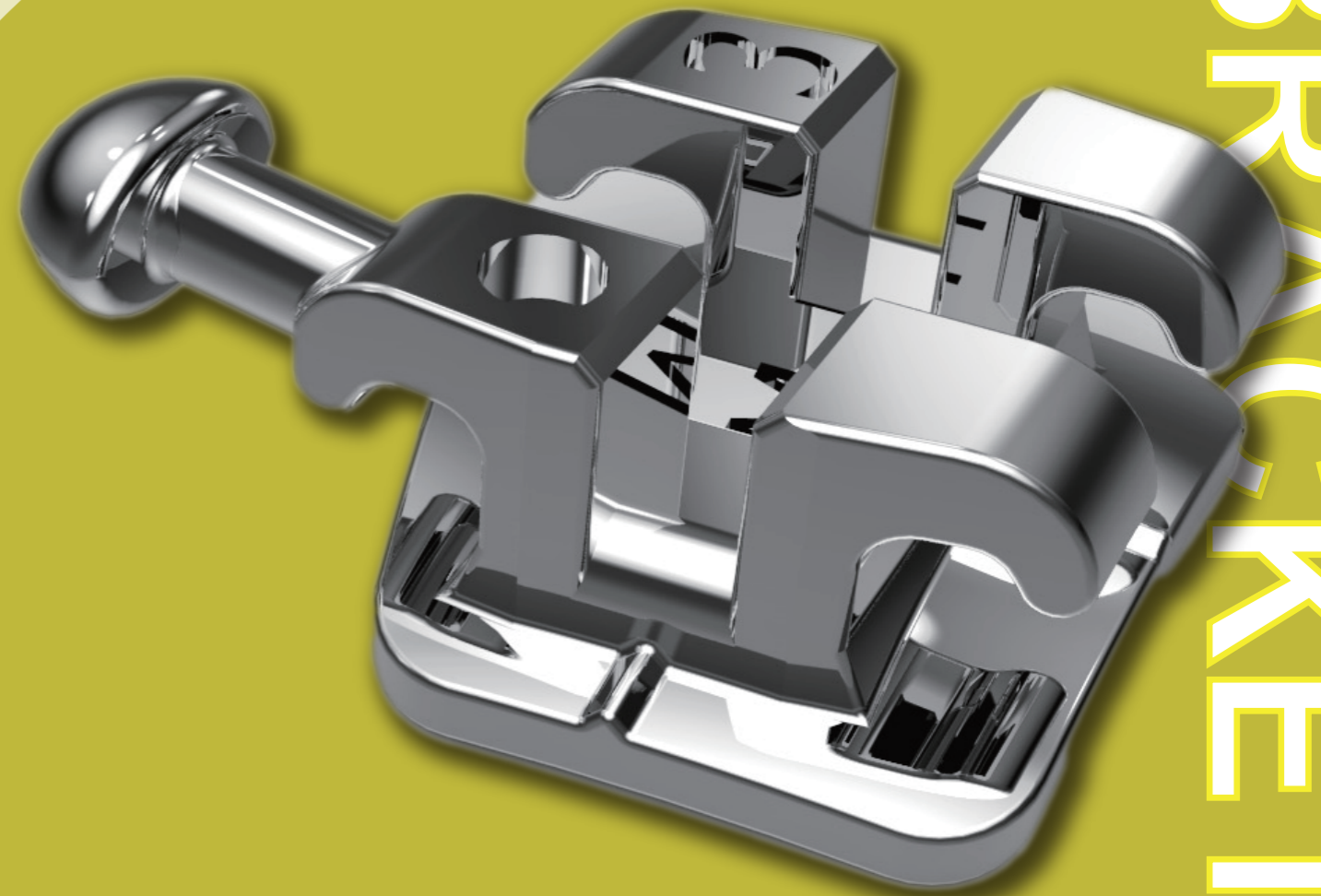
Round and smooth shape, low profile to enhance patient comfort and minimize occlusal interference.

► Accurate

Particulate blasting design of the base increases adhesion and reduces the thickness of the base

METAL BRACKETS

- E-PLUS Series Brackets 64
- Elite Series Brackets 66
- Transcend Series Brackets 68
- Distinction Series Brackets 70
- Confidence Series Brackets 72
- Vertical Slot Brackets 80
- Ricketts Brackets 81
- Tweed Brackets 82
- Physiological Anchorage Spees-wire (PASS) 83



METAL BRACKETS



E-PLUS Series

Mini Roth Brackets

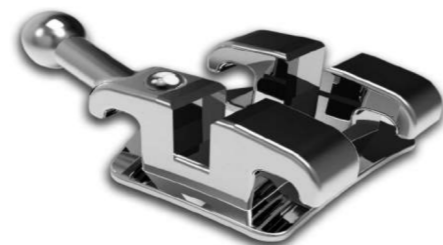
Maxillary							
Tooth	Torq.	Ang.	M/D Width	Hook	L/R	.018 Slot	.022 Slot
Central	12°	5°	3.1	—	UR1	8215-10K-11	8215-20K-11
					UL1	8215-10K-21	8215-20K-21
Lateral	8°	9°	2.8	—	UR2	8215-10K-12	8215-20K-12
					UL2	8215-10K-22	8215-20K-22
Cuspid	-2°	11°	2.8	—	UR3	8215-10K-13	8215-20K-13
				w		8215-11K-13	8215-21K-13
				—	UL3	8215-10K-23	8215-20K-23
				w		8215-11K-23	8215-21K-23
1st&2nd Bicuspid	-7°	0°	2.8	—	UR4/5	8215-10K-14	8215-20K-14
				w		8215-11K-14	8215-21K-14
				—	UL4/5	8215-10K-24	8215-20K-24
				w		8215-11K-24	8215-21K-24
Mandibular							
Anteriors	-1°	0°	2.3	—	LL12	8215-10K-31	8215-20K-31
Cuspid	-11°	5°	2.8	—	LL3	8215-10K-33	8215-20K-33
				w		8215-11K-33	8215-21K-33
				—	LR3	8215-10K-43	8215-20K-43
				w		8215-11K-43	8215-21K-43
1st Bicuspid	-17°	0°	2.8	—	LL4	8215-10K-34	8215-20K-34
				w		8215-11K-34	8215-21K-34
				—	LR4	8215-10K-44	8215-20K-44
				w		8215-11K-44	8215-21K-44
2nd Bicuspid	-22°	0°	2.8	—	LL5	8215-10K-35	8215-20K-35
				w		8215-11K-35	8215-21K-35
				—	LR5	8215-10K-45	8215-20K-45
				w		8215-11K-45	8215-21K-45
Bracket Kits							
						0.018	0.022
Upper/Lower 5x5 No Hook						8215-10K	8215-20K
Upper/Lower 5x5 Hook on 3						8215-13K	8215-23K
Upper/Lower 5x5 Hook on 3,4,& 5						8215-15K	8215-25K

E-PLUS Series

Mini MBT* Brackets

Maxillary							
Tooth	Torq.	Ang.	M/D Width	Hook	L/R	.018 Slot	.022 Slot
Central	17°	4°	3.1	—	UR1	8315-10K-11	8315-20K-11
					UL1	8315-10K-21	8315-20K-21
Lateral	10°	8°	2.8	—	UR2	8315-10K-12	8315-20K-12
					UL2	8315-10K-22	8315-20K-22
Cuspid	-7°	8°	2.8	—	UR3	8315-10K-13	8315-20K-13
				w		8315-11K-13	8315-21K-13
				—	UL3	8315-10K-23	8315-20K-23
				w		8315-11K-23	8315-21K-23
1st&2nd Bicuspid	-7°	0°	2.8	—	UR4/5	8315-10K-14	8315-20K-14
				w		8315-11K-14	8315-21K-14
				—	UL4/5	8315-10K-24	8315-20K-24
				w		8315-11K-24	8315-21K-24
Mandibular							
Anteriors	-6°	0°	2.3	—	L12	8315-10K-31	8315-20K-31
Cuspid	-6°	3°	2.8	—	LL3	8315-10K-33	8315-20K-33
				w		8315-11K-33	8315-21K-33
				—	LR3	8315-10K-43	8315-20K-43
				w		8315-11K-43	8315-21K-43
1st Bicuspid	-12°	2°	2.8	—	LL4	8315-10K-34	8315-20K-34
				w		8315-11K-34	8315-21K-34
				—	LR4	8315-10K-44	8315-20K-44
				w		8315-11K-44	8315-21K-44
2nd Bicuspid	-17°	2°	2.8	—	LL5	8315-10K-35	8315-20K-35
				w		8315-11K-35	8315-21K-35
				—	LR5	8315-10K-45	8315-20K-45
				w		8315-11K-45	8315-21K-45
Bracket Kits							
						0.018	0.022
Upper/Lower 5x5 No Hook						8315-10K	8315-20K
Upper/Lower 5x5 Hook on 3						8315-13K	8315-23K
Upper/Lower 5x5 Hook on 3,4,& 5						8315-15K	8315-25K

E-PLUS Series



- Made by Swiss machine with advanced technique;
- Swiss CNC- machined slot ensures the accuracy within ±0.02mm;
- Laser welding avoid Loose welding and welding material residues problem compared to traditional welding way, enhanced the welding strength;
- New technique polish leads better surface roughness, maximum patient comfort

Elite Series

Mini Roth Brackets

Maxillary							
Tooth	Torq.	Ang.	M/D Width	Hook	L/R	.018 Slot	.022 Slot
Central	12°	5°	3.1	—	UR1	8215-10H-11	8215-20H-11
					UL1	8215-10H-21	8215-20H-21
Lateral	8°	9°	2.8	—	UR2	8215-10H-12	8215-20H-12
					UL2	8215-10H-22	8215-20H-22
Cuspid	-2°	11°	2.8	—	UR3	8215-10H-13	8215-20H-13
				w		8215-11H-13	8215-21H-13
				—	UL3	8215-10H-23	8215-20H-23
				w		8215-11H-23	8215-21H-23
1st&2nd Bicuspid	-7°	0°	2.8	—	UR4/5	8215-10H-14	8215-20H-14
				w		8215-11H-14	8215-21H-14
				—	UL4/5	8215-10H-24	8215-20H-24
				w		8215-11H-24	8215-21H-24
Mandibular							
Anteriors	-1°	2°	2.3	—	LL12	8215-10H-31	8215-20H-31
					LR12	8215-10H-41	8215-20H-41
Cuspid	-11°	5°	2.8	—	LL3	8215-10H-33	8215-20H-33
				w		8215-11H-33	8215-21H-33
				—	LR3	8215-10H-43	8215-20H-43
				w		8215-11H-43	8215-21H-43
1st Bicuspid	-17°	0°	2.8	—	LL4	8215-10H-34	8215-20H-34
				w		8215-11H-34	8215-21H-34
				—	LR4	8215-10H-44	8215-20H-44
				w		8215-11H-44	8215-21H-44
2nd Bicuspid	-22°	0°	2.8	—	LL5	8215-10H-35	8215-20H-35
				w		8215-11H-35	8215-21H-35
				—	LR5	8215-10H-45	8215-20H-45
				w		8215-11H-45	8215-21H-45
Bracket Kits							
						0.018	0.022
Upper/Lower 5x5 No Hook						8215-10H	8215-20H
Upper/Lower 5x5 Hook on 3						8215-13H	8215-23H
Upper/Lower 5x5 Hook on 3,4,& 5						8215-15H	8215-25H

Elite Series



Elite Series

Mini MBT* Brackets

Maxillary							
Tooth	Torq.	Ang.	M/D Width	Hook	L/R	.018 Slot	.022 Slot
Central	-17°	4°	3.1	—	UR1	8315-10H-11	8315-20H-11
					UL1	8315-10H-21	8315-20H-21
Lateral	10°	8°	2.8	—	UR2	8315-10H-12	8315-20H-12
					UL2	8315-10H-22	8315-20H-22
Cuspid	-7°	8°	2.8	—	UR3	8315-10H-13	8315-20H-13
				w		8315-11H-13	8315-21H-13
				—	UL3	8315-10H-23	8315-20H-23
				w		8315-11H-23	8315-21H-23
1st&2nd Bicuspid	-7°	0°	2.8	—	UR4/5	8315-10H-14	8315-20H-14
				w		8315-11H-14	8315-21H-14
				—	UL4/5	8315-10H-24	8315-20H-24
				w		8315-11H-24	8315-21H-24
Mandibular							
Anteriors	-6°	0°	2.3	—	L12	8315-10H-31	8315-20H-31
					LL3	8315-10H-33	8315-20H-33
Cuspid	-6°	3°	2.8	—	LL3	8315-10H-33	8315-20H-33
				w		8315-11H-33	8315-21H-33
				—	LR3	8315-10H-43	8315-20H-43
				w		8315-11H-43	8315-21H-43
1st Bicuspid	-12°	2°	2.8	—	LL4	8315-10H-34	8315-20H-34
				w		8315-11H-34	8315-21H-34
				—	LR4	8315-10H-44	8315-20H-44
				w		8315-11H-44	8315-21H-44
2nd Bicuspid	-17°	2°	2.8	—	LL5	8315-10H-35	8315-20H-35
				w		8315-11H-35	8315-21H-35
				—	LR5	8315-10H-45	8315-20H-45
				w		8315-11H-45	8315-21H-45
Bracket Kits							
						0.018	0.022
Upper/Lower 5x5 No Hook						8315-10H	8315-23H
Upper/Lower 5x5 Hook on 3						8315-13H	8315-23H
Upper/Lower 5x5 Hook on 3,4,& 5						8315-15H	8315-25H

- Ultra fraction slot, CNC milled and finished with advanced polishing process resulting in a perfectly smooth slot;
- Generous tie wing area for easy bracket ligating;
- Mini low profile, reduces occlusal interference;
- Color enhanced with a removable color coded dot and permanently recessed ID mark;
- Torque in base for level slot lineup.

Transcend Series

Mini Roth Brackets

Maxillary							
Tooth	Torq.	Ang.	M/D Width	Hook	L/R	.018 Slot	.022 Slot
Central	12°	5°	3.10	—	UR1	8215-10E-11	8215-20E-11
					UL1	8215-10E-21	8215-20E-21
Lateral	8°	9°	2.80	—	UR2	8215-10E-12	8215-20E-12
					UL2	8215-10E-22	8215-20E-22
Cuspid	-2°	11°	2.80	—	UR3	8215-10E-13	8215-20E-13
				w		8215-11E-13	8215-21E-13
				—	UL3	8215-10E-23	8215-20E-23
				w		8215-11E-23	8215-21E-23
1st&2nd Bicuspid	-7°	0°	2.80	—	UR4/5	8215-10E-14	8215-20E-14
				w		8215-11E-14	8215-21E-14
				—	UL4/5	8215-10E-24	8215-20E-24
				w		8215-11E-24	8215-21E-24
Mandibular							
Anteriors	-1°	2°	2.30	—	L12	8215-10E-31	8215-20E-31
					LR12	8215-10E-41	8215-20E-41
Cuspid	-11°	5°	2.80	—	LL3	8215-10E-33	8215-20E-33
				w		8215-11E-33	8215-21E-33
				—	LR3	8215-10E-43	8215-20E-43
				w		8215-11E-43	8215-21E-43
1stBicuspid	-17°	0°	2.80	—	LL4	8215-10E-34	8215-20E-34
				w		8215-11E-34	8215-21E-34
				—	LR4	8215-10E-44	8215-20E-44
				w		8215-11E-44	8215-21E-44
2nd Bicuspid	-22°	0°	2.80	—	LL5	8215-10E-35	8215-20E-35
				w		8215-11E-35	8215-21E-35
				—	LR5	8215-10E-45	8215-20E-45
				w		8215-11E-45	8215-21E-45
Bracket Kits							
			0.018			0.022	
Upper/Lower 5x5 No Hook			8215-10E		8215-20E		
Upper/Lower 5x5 Hook on 3			8215-13E		8215-23E		
Upper/Lower 5x5 Hook on 3,4,& 5			8215-15E		8215-25E		

Transcend Series

Mini MBT Brackets

Maxillary							
Tooth	Torq.	Ang.	MID Width	Hook	HR	.018 Slot	.022 Slot
Central	17°	4°	3.2	—	UR1	8315-10E-11	8315-20E-11
					UL1	8315-10E-21	8315-20E-21
Lateral	10°	8°	2.8	—	UR2	8315-10E-12	8315-20E-12
					UL2	8315-10E-22	8315-20E-22
Cuspid	-7°	8°	2.8°	—	UR3	8315-10E-13	8315-20E-13
				w		8315-11E-13	8315-21E-13
				—	UL3	8315-10E-23	8315-20E-23
				w		8315-11E-23	8315-21E-23
1st&2nd Bicuspid	0°	0°	2.8	—	UR4/5	8315-10E-14	8315-20E-14
				w		8315-11E-14	8315-21E-14
				—	UL4/5	8315-10E-24	8315-20E-24
				w		8315-11E-24	8315-21E-24
Mandibular							
Anteriors	-6°	0°	2.5	—	LL12	8315-10E-31	8315-20E-31
				—	LR12	8315-10E-41	8315-20E-41
Cuspid	-6°	3°	2.8	—	LL3	8315-10E-33	8315-20E-33
				w		8315-11E-33	8315-21E-33
				—	LR3	8315-10E-43	8315-20E-43
				w		8315-11E-43	8315-21E-43
1st Bicuspid	-12°	2°	2.8	—	LL4	8315-10E-34	8315-20E-34
				w		8315-11E-34	8315-21E-34
				—	LR5	8315-10E-44	8315-20E-44
				w		8315-11E-44	8315-21E-44
2nd Bicuspid	-17°	2°	2.8	—	LL5	8315-10E-35	8315-20E-35
				w		8315-11E-35	8315-21E-35
				—	LR5	8315-10E-45	8315-20E-45
				w		8315-11E-45	8315-21E-45
Bracket Kits							
			0.018			0.022	
Upper/Lower 5x5 No Hook			8315-10E		8315-20E		
Upper/Lower 5x5 Hook on 3			8315-13E		8315-23E		
Upper/Lower 5x5 Hook on 3,4,& 5			8315-15E		8315-25E		

Distinction Series

MIM Mini Low Profile Roth Brackets

Maxillary							
Tooth	Torq.	Ang.	M/D Width	Hook	L/R	.018 Slot	.022 Slot
Central	12°	5°	3.0	—	UR1	821G-10E-11	821G-20E-11
					UL1	821G-10E-21	821G-20E-21
Lateral	8°	9°	2.8	—	UR2	821G-10E-12	821G-20E-12
					UL2	821G-10E-22	821G-20E-22
Cuspid	-2°	11°	2.8	—	UR3	—	821G-20E-13
				w		821G-11E-13	821G-21E-13
				—	UL3	—	821G-20E-23
				w		821G-11E-23	821G-21E-23
1st&2nd Bicuspid	-7°	0°	2.8	—	UR4/5	821G-10E-14	821G-20E-14
				w		821G-11E-14	821G-21E-14
				—	UL4/5	821G-10E-24	821G-20E-24
				w		821G-11E-24	821G-21E-24
Mandibular							
Anteriors	-1°	0°	2.4	—	L12	821G-10E-31	821G-20E-31
Cuspid	-11°	5°	2.8	—	LL3	—	821G-20E-33
				w		821G-11E-33	821G-21E-33
				—	LR3	—	821G-20E-43
				w		821G-11E-43	821G-21E-43
1st Bicuspid	-17°	0°	2.8	—	LL4	821G-10E-34	821G-20E-34
				w		821G-11E-34	821G-21E-34
				—	LR4	821G-10E-44	821G-20E-44
				w		821G-11E-44	821G-21E-44
2nd Bicuspid	-22°	0°	2.8	—	LL5	821G-10E-35	821G-20E-35
				w		821G-11E-35	821G-21E-35
				—	LR5	821G-10E-45	821G-20E-45
				w		821G-11E-45	821G-21E-45
Bracket Kits							
						0.018	0.022
Upper/Lower 5x5 No Hook						—	821G-20E
Upper/Lower 5x5 Hook on 3						821G-13E	821G-23E
Upper/Lower 5x5 Hook on 3,4,& 5						821G-15E	821G-25E



Distinction Series

MIM Mini Low Profile MBT* Brackets

Maxillary							
Tooth	Torq.	Ang.	M/D Width	Hook	L/R	.018 Slot	.022 Slot
Central	17°	4°	3.0	—	UR1	831G-10E-11	831G-20E-11
					UL1	831G-10E-21	831G-20E-21
Lateral	10°	8°	2.8	—	UR2	831G-10E-12	831G-20E-12
					UL2	831G-10E-22	831G-20E-22
Cuspid	-7° 0° -7° 0°	8°	2.8	—	UR3	—	831G-20E-13
				w		831G-11E-13	831G-21E-13
				—	UL3	—	831G-20E-23
				w		831G-11E-23	831G-21E-23
1st&2nd Bicuspid	-7°	0°	2.8	—	UR4/5	831G-10E-14	831G-20E-14
				w		831G-11E-14	831G-21E-14
				—	UL4/5	831G-10E-24	831G-20E-24
				w		831G-11E-24	831G-21E-24
Mandibular							
Anteriors	-6°	0°	2.4	—	L12	831G-10E-31	831G-20E-31
Cuspid	-6° 0° -6° 0°	3°	2.8	—	LL3	—	831G-20E-33
				w		831G-11E-33	831G-21E-33
				—	LR3	—	831G-20E-43
				w		831G-11E-43	831G-21E-43
1st Bicuspid	-12°	2°	2.8	—	LL4	831G-10E-34	831G-20E-34
				w		831G-11E-34	831G-21E-34
				—	LR4	831G-10E-44	831G-20E-44
				w		831G-11E-44	831G-21E-44
2nd Bicuspid	-17°	2°	2.8	—	LL5	831G-10E-35	831G-20E-35
				w		831G-11E-35	831G-21E-35
				—	LR5	831G-10E-45	831G-20E-45
				w		831G-11E-45	831G-21E-45
Bracket Kits							
						0.018	0.022
Upper/Lower 5x5 No Hook						—	831G-20E
Upper/Lower 5x5 Hook on 3						831G-13E	831G-23E
Upper/Lower 5x5 Hook on 3,4,& 5						831G-15E	831G-25E

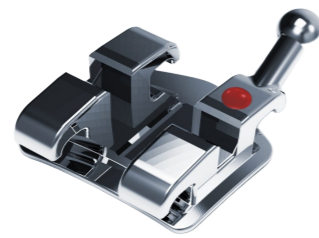
- one-piece 17-4 stainless steel MIM construction, accurate prescription and avoid separation between bracket body and pad;
- Vertical scribe line for accurate placement;
- Number coded for easy bracket selection;
- Micro blasted base providing greater adhesion strength.

Confidence Series

Standard Edgewise Brackets

Maxillary							
Tooth	Torq.	Ang.	M/D Width	Hook	L/R	.018 Slot	.022 Slot
Central	0°	0°	3.3	—	UR1	8118-10B-11	8118-20B-11
					UL1		
Lateral	0°	0°	3.0	—	UR2	8118-10B-12	8118-20B-12
					UL2		
Anteriors	0°	0°	2.5	—	LR12	8118-10B-31	8118-20B-31
					LL12		
Cuspid	0°	0°	3.3	—	U3	8118-10B-13	8118-20B-13
					L3		
				W	UR3	8118-11B-13	8118-21B-13
					LL3		
				W	UL3	8118-11B-23	8118-21B-23
					LR3		
1st& 2nd Bicuspid	0°	0°	3.0	—	U45	8118-10B-14	8118-20B-14
					L45		
				W	UR45	8118-11B-14	8118-21B-14
					LL45		
				W	UL45	8118-11B-24	8118-21B-24
					LR45		

Bracket Kits		
	0.018	0.022
Upper/Lower 5x5 No Hook	8118-10B	8118-20B
Upper/Lower 5x5 Hook on 3	8118-13B	8118-23B
Upper/Lower 5x5 Hook on 3,4,& 5	8118-15B	8118-25B



Confidence Series

Mini Edgewise Brackets

Maxillary							
Tooth	Torq.	Ang.	M/D Width	Hook	L/R	.018 Slot	.022 Slot
Central	0°	0°	3.0	—	UR1	8117-10B-11	8117-20B-11
					UL1		
Lateral	0°	0°	2.7	—	UR2	8117-10B-12	8117-20B-12
					UL2		
Anteriors	0°	0°	2.3	—	LR12	8117-10B-31	8117-20B-31
					LL12		
Cuspid	0°	0°	3.0	—	U3	8117-10B-13	8117-20B-13
					L3		
				W	UR3	8117-11B-13	8117-21B-13
					LL3		
				W	UL3	8117-11B-23	8117-21B-23
					LR3		
1st& 2nd Bicuspid	0°	0°	2.7	—	U45	8117-10B-14	8117-20B-14
					L45		
				W	UR45	8117-11B-14	8117-21B-14
					LL45		
				W	UL45	8117-11B-24	8117-21B-24
					LR45		

Bracket Kits		
	0.018	0.022
Upper/Lower 5x5 No Hook	8117-10B	8117-20B
Upper/Lower 5x5 Hook on 3	8117-13B	8117-23B
Upper/Lower 5x5 Hook on 3,4,& 5	8117-15B	8117-25B

- Torque in base for level slot lineup
- 80 gauge mesh bonding base match the anatomy of the tooth for maximum contact and a strong, consistent bond
- Rounded tie wing for patient comfort

Confidence Series

Standard Roth Brackets

Maxillary							
Tooth	Torq.	Ang.	M/D Width	Hook	L/R	.018 Slot	.022 Slot
Central	12°	5°	3.4	—	UR1	8218-10B-11	8218-20B-11
					UL1	8218-10B-21	8218-20B-21
Lateral	8°	9°	2.9	—	UR2	8218-10B-12	8218-20B-12
					UL2	8218-10B-22	8218-20B-22
Cuspid	-2°	11°	3.0	—	UR3	8218-10B-13	8218-20B-13
				w		8218-11B-13	8218-21B-13
				—	UL3	8218-10B-23	8218-20B-23
				w		8218-11B-23	8218-21B-23
1st&2nd Bicuspid	-7°	0°	2.9	—	UR4/5	8218-10B-14	8218-20B-14
				w		8218-11B-14	8218-21B-14
				—	UL4/5	8218-10B-24	8218-20B-24
				w		8218-11B-24	8218-21B-24
Mandibular							
Anteriors	-1°	2°	2.5	—	LL12	8218-10B-31	8218-20B-31
					LR12	8218-10B-41	8218-20B-41
Cuspid	-11°	5°	2.9	—	LL3	8218-10B-33	8218-20B-33
				w		8218-11B-33	8218-21B-33
				—	LR3	8218-10B-43	8218-20B-43
				w		8218-11B-43	8218-21B-43
1st Bicuspid	-17°	0°	2.9	—	LL4	8218-10B-34	8218-20B-34
				w		8218-11B-34	8218-21B-34
				—	LR4	8218-10B-44	8218-20B-44
				w		8218-11B-44	8218-21B-44
2nd Bicuspid	-22°	0°	2.9	—	LL5	8218-10B-35	8218-20B-35
				w		8218-11B-35	8218-21B-35
				—	LR5	8218-10B-45	8218-20B-45
				w		8218-11B-45	8218-21B-45
Bracket Kits							
			0.018			0.022	
Upper/Lower 5x5 No Hook				8218-10B		8218-20B	
Upper/Lower 5x5 Hook on 3				8218-13B		8218-23B	
Upper/Lower 5x5 Hook on 3,4,& 5				8218-15B		8218-25B	

Confidence Series

Standard MBT* Brackets

Maxillary							
Tooth	Torq.	Ang.	M/D Width	Hook	L/R	.018 Slot	.022 Slot
Central	17°	4°	3.6	—	UR1	8318-10B-11	8318-20B-11
					UL1	8318-10B-21	8318-20B-21
Lateral	10°	8°	2.8	—	UR2	8318-10B-12	8318-20B-12
					UL2	8318-10B-22	8318-20B-22
Cuspid	-7°	8°	3.0	—	UR3	8318-10B-13	8318-20B-13
				w		8318-11B-13	8318-21B-13
				—	UL3	8318-10B-23	8318-20B-23
				w		8318-11B-23	8318-21B-23
1st Bicuspid	-7°	0°	3.0	—	UR4	8318-10B-14	8318-20B-14
				w		8318-11B-14	8318-21B-14
				—	UL4	8318-10B-24	8318-20B-24
				w		8318-11B-24	8318-21B-24
2nd Bicuspid	-7°	0°	3.0	—	UR5	8318-10B-15	8318-20B-15
				w		8318-11B-15	8318-21B-15
				—	UL5	8318-10B-25	8318-20B-25
				w		8318-11B-25	8318-21B-25
Mandibular							
Anteriors	-6°	0°	2.7	—	L12	8318-10B-31	8318-20B-31
Cuspid	-6°	3°	3.0	—	LL3	8318-10B-33	8318-20B-33
				w		8318-11B-33	8318-21B-33
				—	LR3	8318-10B-43	8318-20B-43
				w		8318-11B-43	8318-21B-43
1st Bicuspid	-12°	2°	3.0	—	LL4	8318-10B-34	8318-20B-34
				w		8318-11B-34	8318-21B-34
				—	LR4	8318-10B-44	8318-20B-44
				w		8318-11B-44	8318-21B-44
2nd Bicuspid	-17°	2°	3.0	—	LL5	8318-10B-35	8318-20B-35
				w		8318-11B-35	8318-21B-35
				—	LR5	8318-10B-45	8318-20B-45
				w		8318-11B-45	8318-21B-45
Bracket Kits							
			0.018			0.022	
Upper/Lower 5x5 No Hook				8318-10B		8318-20B	
Upper/Lower 5x5 Hook on 3				8318-13B		8318-23B	
Upper/Lower 5x5 Hook on 3,4,& 5				8318-15B		8318-25B	

Confidence Series

Mini Roth Brackets

Maxillary							
Tooth	Torq.	Ang.	M/D Width	Hook	L/R	.018 Slot	.022 Slot
Central	12°	5°	3.1	—	UR1	8217-10B-11	8217-20B-11
					UL1	8217-10B-21	8217-20B-21
Lateral	8°	9°	2.8	—	UR2	8217-10B-12	8217-20B-12
					UL2	8217-10B-22	8217-20B-22
Cuspid	-2°	11°	2.8	—	UR3	8217-10B-13	8217-20B-13
				w		8217-11B-13	8217-21B-13
				—	UL3	8217-10B-23	8217-20B-23
				w		8217-11B-23	8217-21B-23
1st& 2nd Bicuspid	-7°	0°	2.8	—	UR4/5	8217-10B-14	8217-20B-14
				w		8217-11B-14	8217-21B-14
				—	UL4/5	8217-10B-24	8217-20B-24
				w		8217-11B-24	8217-21B-24
Mandibular							
Anteriors	-1°	2°	2.3	—	LL12	8217-10B-31	8217-20B-31
					LR12	8217-10B-41	8217-20B-41
Cuspid	-11°	5°	2.8	—	LL3	8217-10B-33	8217-20B-33
				w		8217-11B-33	8217-21B-33
				—	LR3	8217-10B-43	8217-20B-43
				w		8217-11B-43	8217-21B-43
1st Bicuspid	-17°	0°	2.8	—	LL4	8217-10B-34	8217-20B-34
				w		8217-11B-34	8217-21B-34
				—	LR4	8217-10B-44	8217-20B-44
				w		8217-11B-44	8217-21B-44
2nd Bicuspid	-22°	0°	2.8	—	LL5	8217-10B-35	8217-20B-35
				w		8217-11B-35	8217-21B-35
				—	LR5	8217-10B-45	8217-20B-45
				w		8217-11B-45	8217-21B-45

Bracket Kits		
	0.018	0.022
Upper/Lower 5x5 No Hook	8217-10B	8217-20B
Upper/Lower 5x5 Hook on 3	8217-13B	8217-23B
Upper/Lower 5x5 Hook on 3,4,& 5	8217-15B	8217-25B

Confidence Series

Mini MBT* Brackets

Maxillary							
Tooth	Torq.	Ang.	M/D Width	Hook	L/R	.018 Slot	.022 Slot
Central	17°	4°	3.1	—	UR1	8317-10B-11	8317-20B-11
					UL1	8317-10B-21	8317-20B-21
Lateral	10°	8°	2.8	—	UR2	8317-10B-12	8317-20B-12
					UL2	8317-10B-22	8317-20B-22
Cuspid	-7°	8°	2.8	—	UR3	8317-10B-13	8317-20B-13
				w		8317-11B-13	8317-21B-13
				0°	UL3	8317-10B-23	8317-20B-23
				w		8317-11B-23	8317-21B-23
1st& 2nd Bicuspid	-7°	0°	2.8	—	UR4/5	8317-10B-14	8317-20B-14
				w		8317-11B-14	8317-21B-14
				—	UL4/5	8317-10B-24	8317-20B-24
				w		8317-11B-24	8317-21B-24
Mandibular							
Anteriors	-6°	0°	2.3	—	L12	8317-10B-31	8317-20B-31
					LL3	8317-10B-33	8317-20B-33
Cuspid	-6°	3°	2.8	—	LL3	8317-10B-33	8317-20B-33
				w		8317-11B-33	8317-21B-33
				—	LR3	8317-10B-43	8317-20B-43
				w		8317-11B-43	8317-21B-43
1st Bicuspid	-12°	2°	2.8	—	LL4	8317-10B-34	8317-20B-34
				w		8317-11B-34	8317-21B-34
				—	LR4	8317-10B-44	8317-20B-44
				w		8317-11B-44	8317-21B-44
2nd Bicuspid	-17°	2°	2.8	—	LL5	8317-10B-35	8317-20B-35
				w		8317-11B-35	8317-21B-35
				—	LR5	8317-10B-45	8317-20B-45
				w		8317-11B-45	8317-21B-45

Bracket Kits		
	0.018	0.022
Upper/Lower 5x5 No Hook	8317-10B	8317-20B
Upper/Lower 5x5 Hook on 3	8317-13B	8317-23B
Upper/Lower 5x5 Hook on 3,4,& 5	8317-15B	8317-25B

Confidence Series

Mini Low Profile Roth Brackets

Maxillary							
Tooth	Torq.	Ang.	M/D Width	Hook	L/R	.018 Slot	.022 Slot
Central	12°	5°	3.2	—	UR1	8277-10C-11	8277-20C-11
					UL1	8277-10C-21	8277-20C-21
Lateral	8°	9°	2.9	—	UR2	8277-10C-12	8277-20C-12
					UL2	8277-10C-22	8277-20C-22
Cuspid	-2°	11°	2.9	—	UR3	8277-10C-13	8277-20C-13
				w		8277-11C-13	8277-21C-13
				—	UL3	8277-10C-23	8277-20C-23
				w		8277-11C-23	8277-21C-23
1st&2nd Bicuspid	-7°	0°	2.9	—	UR4/5	8277-10C-14	8277-20C-14
				w		8277-11C-14	8277-21C-14
				—	UL4/5	8277-10C-24	8277-20C-24
				w		8277-11C-24	8277-21C-24
Mandibular							
Anteriors	0°	0°	2.5	—	L12	8277-10G-31	8277-20C-31
Cuspid	-11°	5°	2.9	—	LL3	8277-10C-33	8277-20C-33
				w		8277-11C-33	8277-21C-33
				—	LR3	8277-10C-43	8277-20C-43
				w		8277-11C-43	8277-21C-43
1st Bicuspid	-17°	0°	2.9	—	LL4	8277-10C-34	8277-20C-34
				w		8277-11C-34	8277-21C-34
				—	LR4	8277-10C-44	8277-20C-44
				w		8277-11C-44	8277-21C-44
2nd Bicuspid	-22°	0°	2.9	—	LL5	8277-10C-35	8277-20C-35
				w		8277-11C-35	8277-21C-35
				—	LR5	8277-10C-45	8277-20C-45
				w		8277-11C-45	8277-21C-45
Bracket Kits							
			0.018			0.022	
Upper/Lower 5x5 No Hook			8277-10C		8277-20C		
Upper/Lower 5x5 Hook on 3			8277-13C		8277-23C		
Upper/Lower 5x5 Hook on 3,4,& 5			8277-15C		8277-25C		

Confidence Series

Mini Low Profile MBT* Brackets

Maxillary							
Tooth	Torq.	Ang.	M/D Width	Hook	L/R	.018 Slot	.022 Slot
Central	17°	4°	3.2	—	UR1	8377-10C-11	8377-20C-11
					UL1	8377-10C-21	8377-20C-21
Lateral	10°	8°	2.9	—	UR2	8377-10C-12	8377-20C-12
					UL2	8377-10C-22	8377-20C-22
Cuspid	-7°	8°	2.9	—	UR3	8377-10C-13	8377-20C-13
				w		8377-11C-13	8377-21C-13
				—	UL3	8377-10C-23	8377-20C-23
				w		8377-11C-23	8377-21C-23
1st&2nd Bicuspid	-7°	0°	2.9	—	UR4/5	8377-10C-14	8377-20C-14
				w		8377-11C-14	8377-21C-14
				—	UL4/5	8377-10C-24	8377-20C-24
				w		8377-11C-24	8377-21C-24
Mandibular							
Anteriors	-6°	0°	2.5	—	L12	8377-10C-31	8377-20G-31
Cuspid	-6°	3°	2.9	—	LL3	8377-10C-33	8377-20C-33
				w		8377-11C-33	8377-21C-33
				—	LR3	8377-10C-43	8377-20C-43
				w		8377-11C-43	8377-21C-43
1st Bicuspid	-12°	2°	2.9	—	LL4	8377-10C-34	8377-20C-34
				w		8377-11C-34	8377-21C-34
				—	LR4	8377-10C-44	8377-20C-44
				w		8377-11C-44	8377-21C-44
2nd Bicuspid	-17°	2°	2.9	—	LL5	8377-10C-35	8377-20C-35
				w		8377-11C-35	8377-21C-35
				—	LR5	8377-10C-45	8377-20C-45
				w		8377-11C-45	8377-21C-45
Bracket Kits							
			0.018			0.022	
Upper/Lower 5x5 No Hook			8377-10C		8377-20C		
Upper/Lower 5x5 Hook on 3			8377-13C		8377-23C		
Upper/Lower 5x5 Hook on 3,4,& 5			8377-15C		8377-25C		

Mini Vertical Slot Roth Brackets

Maxillary							
Tooth	Torq.	Ang.	M/D Width	Hook	L/R	.018 Slot	.022 Slot
Central	8°	5°	3.2	—	UR1	8245-10B-11	8245-20B-11
					UL1	8245-10B-21	8245-20B-21
Lateral	8°	9°	2.8	—	UR2	8245-10B-12	8245-20B-12
					UL2	8245-10B-22	8245-20B-22
Cuspid	-2°	11°	2.9	—	UR3	8245-10B-13	8245-20B-13
						8245-11B-13	8245-21B-13
				w	UL3	8245-10B-23	8245-20B-23
						8245-11B-23	8245-21B-23
1st&2nd Bicuspid	-7°	0°	2.8	—	UR4/5	8245-10B-14	8245-20B-14
						8245-11B-14	8245-21B-14
				w	UL4/5	8245-10B-24	8245-20B-24
						8245-11B-24	8245-21B-24
Mandibular							
Anteriors	0°	0°	2.6	—	L12	8245-10B-31	8245-20B-31
Cuspid	-11°	5°	2.8	—	LL3	8245-10B-33	8245-20B-33
						8245-11B-33	8245-21B-33
				w	LR3	8245-10B-43	8245-20B-43
						8245-11B-43	8245-21B-43
1st Bicuspid	-17°	0°	2.8	—	LL4	8245-10B-34	8245-20B-34
						8245-11B-34	8245-21B-34
				w	LR4	8245-10B-44	8245-20B-44
						8245-11B-44	8245-21B-44
2nd Bicuspid	-22°	0°	2.8	—	LL5	8245-10B-35	8245-20B-35
						8245-11B-35	8245-21B-35
				w	LR5	8245-10B-45	8245-20B-45
						8245-11B-45	8245-21B-45
Bracket Kits							
						0.018	0.022
Upper/Lower 5x5 No Hook						8245-10B	8245-20B
Upper/Lower 5x5 Hook on 3						8245-13B	8245-23B
Upper/Lower 5x5 Hook on 3,4,& 5						8245-15B	8245-25B

Mini Profile Ricketts Brackets

Maxillary							
Tooth	Torq.	Ang.	MID Width	Hook	L/R	.018 Slot	.022 Slot
Central	22°	0°	3.2	—	UR1	8815-10B-11	8815-20B-11
					UL1	8815-10B-21	8815-20B-21
Lateral	14°	8°	2.6	—	UR2	8815-10B-12	8815-20B-12
					UL2	8815-10B-22	8815-20B-22
Cuspid	7°	5°	3.0	—	UR3	8815-10B-13	8815-20B-13
						8815-11B-13	8815-21B-13
				w	UL3	8815-10B-23	8815-20B-23
						8815-11B-23	8815-21B-23
1st&2nd Bicuspid	0°	0°	2.8	—	UR4/5	8815-10B-14	8815-20B-14
						8815-11B-14	8815-21B-14
				w	UL4/5	8815-10B-24	8815-20B-24
						8815-11B-24	8815-21B-24
Mandibular							
Anteriors	-1°	0°	2.3	—	L12	8815-10B-31	8815-20B-31
Cuspid	7°	5°	2.8	—	LL3	8815-10B-33	8815-20B-33
						8815-11B-33	8815-21B-33
				w	LR3	8815-10B-43	8815-20B-43
						8815-11B-43	8815-21B-43
1st Bicuspid	0°	0°	2.8	—	LL4	8815-10B-34	8815-20B-34
						8815-11B-34	8815-21B-34
				w	LR5	8815-10B-44	8815-20B-44
						8815-11B-44	8815-21B-44
2nd Bicuspid	-11°	0°	2.8	—	LL5	8815-10B-35	8815-20B-35
						8815-11B-35	8815-21B-35
				w	LR5	8815-10B-45	8815-20B-45
						8815-11B-45	8815-21B-45
Bracket Kits							
						0.018	0.022
Upper/Lower 5x5 No Hook						8815-10B	8815-20B
Upper/Lower 5x5 Hook on 3						8815-13B	8815-23B
Upper/Lower 5x5 Hook on 3,4,& 5						8815-15B	8815-25B

Standard Tweed Brackets

Maxillary							
Tooth	Torq.	Ang.	M/D Width	Hook	L/R	.018 Slot	.022 Slot
Central	0°	0°	2.6	—	U1	8176-10B-11	8176-20B-11
Lateral	0°	0°	2.6	—	U2	8176-10B-12	8176-20B-12
Anteriors	0°	0°	2.1	—	L12	8176-10B-31	8176-20B-31
Cuspid	0°	0°	2.6	—	U3/L3	8176-10B-13	8176-20B-13
1st&2nd Bicuspid	0°	0°	2.1	—	U45/L45	8176-10B-14	8176-20B-14

Bracket Kits			
	0.018	0.022	
Upper/Lower 5x5 No Hook	8176-10B	8176-20B	

1st Molar Bondable Brackets

Maxillary						
Sys.	Torq.	Distal Offset	Length (mm)	L/R	C-Series	
					.018	.022
Edgewise	0°	0°	3.6	UR	8154-10A-16	8154-20A-16
				UL	8154-10A-26	8154-20A-26
Roth	-14°	10°	3.8	UR	8254-10B-16	8254-20B-16
				UL	8254-10B-26	8254-20B-26
MBT	-14°	10°	3.8	UR	8354-10B-16	8354-20B-16
				UL	8354-10B-26	8354-20B-26

Mandibular						
Sys.	Torq.	Distal Offset	Length (mm)	L/R	C-Series	
					.018	.022
Edgewise	0	0°	3.6	LR	8154-10A-46	8154-20A-46
				LL	8154-10A-36	8154-20A-36
Roth	-25°	4°	3.8	LR	8254-10B-46	8254-20B-46
				LL	8254-10B-36	8254-20B-36
MBT	-20°	0°	3.8	LR	8354-10B-46	8354-20B-46
				LL	8354-10B-36	8354-20B-36

Physiological Anchorage Spee's-wire(PASS)

Multi-level Low Friction BRACKETS (M-LF)

The low friction braces with simplest structure

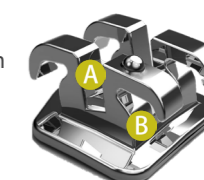
M-LF braces—the only braces in the world to enhance low friction function through saving steels.

Maxillary					
Tooth	Torq.	Ang.	M/D Width	L/R	.018 Slot
Central	16°	4°	3.0	UR1	8D16-30H-11
				UL1	8D16-30H-21
Lateral	14°	6°	2.8	UR2	8D16-30H-12
				UL2	8D16-30H-22
Cuspid	0°	8°	2.8	UR3	8D16-20H-13
				UL3	8D16-20H-23
1st Bicuspid	-4°	-1°	2.8	UR4	8D16-20H-14
				UL4	8D16-20H-24
2nd Bicuspid	-4°	-3°	2.8	UR5	8D16-20H-15
				UL5	8D16-20H-25

Mandibular					
Tooth	Torq.	Ang.	M/D Width	L/R	.018 Slot
Anteriors	-3°	0°	2.2	L12	8D16-30H-31
				LL3	8D16-20H-33
Cuspid	0°	3°	2.8	LR3	8D16-20H-43
				LL4	8D16-20H-34
1st Bicuspid	-10°	0°	2.8	LR4	8D16-20H-44
				LL5	8D16-20H-35
2nd Bicuspid	-15°	-2°	2.8	LR5	8D16-20H-45

Bracket Kits		
	0.018	
Upper/Lower 5x5 No Hook	8D16-40H	
Upper/Lower 7x7 No Hook	8D16-40H-A1	

- A** • Dual slot size for better torque control(0.020X0.027 for incisors and 0.022X0.027 for other teeth)
- B** • Cutting the outer wall of the slot into slope to make a conventional twin bracket into a low friction bracket without changing doctor's ligating habit



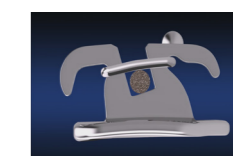
Conventional twin bracket



Cutting the outer wall of the slot into slope to reduce the friction between slot and wire by shifting up the ligature wire



M-LF brackets



Gradually increasing tooth control when arch wire and/or ligature wire getting thicker



Full control of tooth when using rectangular wire

BUCCAL TUBES

BUCCAL TUBES

• <u>BONDABLE BUCCAL TUBES</u>	88
• <u>1ST MOLAR BONDABLE BUCCAL TUBES</u>	89
• <u>2ND MOLAR BONDABLE BUCCAL TUBES</u>	95
• <u>SELF-LIGATING BUCCAL TUBES</u>	97
• <u>WELDABLE BUCCAL TUBES</u>	98
• <u>1ST MOLAR WELDABLE BUCCAL TUBES</u>	99
• <u>2ND MOLAR WELDABLE BUCCAL TUBES</u>	101



4



Buccal Tubes

Bondable Buccal Tubes

1st Molar Buccal Tubes

Bicuspid Buccal Tubes

Mini Buccal Tubes

2nd Molar Buccal Tubes



- Low Profile design for less occlusal interference
- Comfortable hooks for maximum patient comfort
- Anatomical Conformation to the teeth

1st Molar Bondable Buccal Tubes (Non-Convertible)



1st Molar MIM Trumpeted Opening Single Rectangular Buccal Tubes(II type), Non-Convertible

Packing in bulk:10pcs/pkg Packing by set:4pcs/set


Sys.	Torq.	Distal Offset	Length (mm)	L/R	.018(In bulk)	.018(Set)	.022(In bulk)	.022(Set)
Edgewise	0°	0°	4	UR6	61BH-10J-16	611H-10J	61BH-20J-16	611H-20J
				UL6	61BH-10J-26		61BH-20J-26	
	0°	0°	4	LL6	61BH-10J-36		61BH-20J-36	
				LR6	61BH-10J-46		61BH-20J-46	
Roth	-14°	10°	4	UR6	62BH-10J-16	621H-10J	62BH-20J-16	621H-20J
				UL6	62BH-10J-26		62BH-20J-26	
	-25°	4°	4	LL6	62BH-10J-36		62BH-20J-36	
				LR6	62BH-10J-46		62BH-20J-46	
MBT	-14°	10°	4	UR6	63BH-10J-16	631H-10J	63BH-20J-16	631H-20J
				UL6	63BH-10J-26		63BH-20J-26	
	-20°	0°	4	LL6	63BH-10J-36		63BH-20J-36	
				LR6	63BH-10J-46		63BH-20J-46	




1st Molar MIM Trumpeted Opening Single Rectangular Buccal Tubes(III type), Non-Convertible

Packing in bulk:10pcs/pkg Packing by set:4pcs/set


Sys.	Torq.	Distal Offset	Length (mm)	L/R	.018(In bulk)	.018(Set)	.022(In bulk)	.022(Set)
Edgewise	0°	0°	4	UR6	61BN-10J-16	611N-10J	61BN-20J-16	611N-20J
				UL6	61BN-10J-26		61BN-20J-26	
	0°	0°	4	LL6	61BN-10J-36		61BN-20J-36	
				LR6	61BN-10J-46		61BN-20J-46	
Roth	-14°	10°	4	UR6	62BN-10J-16	621N-10J	62BN-20J-16	621N-20J
				UL6	62BN-10J-26		62BN-20J-26	
	-25°	4°	4	LL6	62BN-10J-36		62BN-20J-36	
				LR6	62BN-10J-46		62BN-20J-46	
MBT	-14°	10°	4	UR6	63BN-10J-16	631N-10J	63BN-20J-16	631N-20J
				UL6	63BN-10J-26		63BN-20J-26	
	-20°	0°	4	LL6	63BN-10J-36		63BN-20J-36	
				LR6	63BN-10J-46		63BN-20J-46	

 **1st Molar MIM Trumpeted Opening Single Rectangular Buccal Tubes(IV type), Non-Convertible**
Packing in bulk:10pcs/pkg Packing by set:4pcs/set

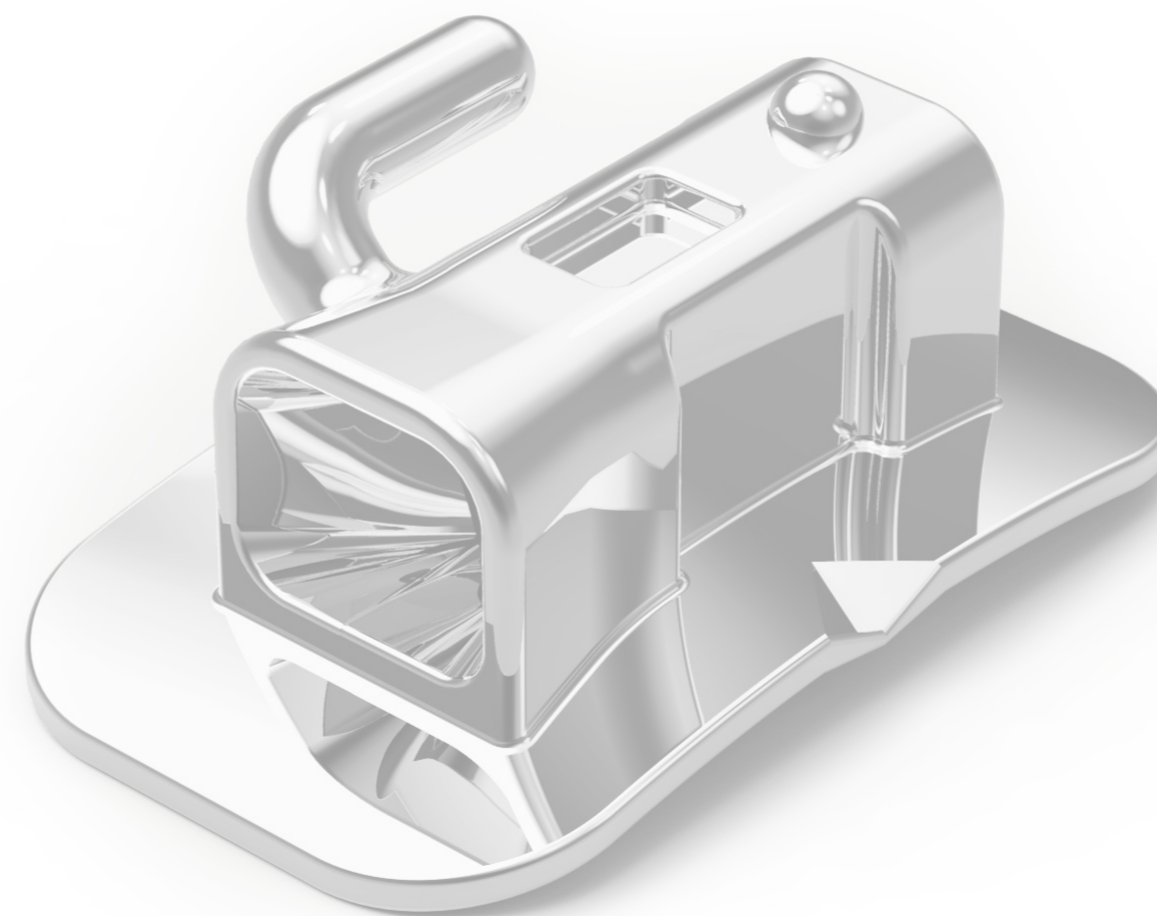
Sys.	Torq.	Distal Offset	Length (mm)	L/R	.018(In bulk)	.018(Set)	.022(In bulk)	.022(Set)
Roth	-14°	10°	4	UR6	/	/	62BU-20J-16	621U-20J
				UL6	/		62BU-20J-26	
	-25°	4°	4	LL6	/		62BU-20J-36	
				LR6	/		62BU-20J-46	
MBT	-14°	10°	4	UR6	/	/	63BU-20J-16	631U-20J
				UL6	/		63BU-20J-26	
	-20°	0°	4	LL6	/		63BU-20J-36	
				LR6	/		63BU-20J-46	

 **1st Molar Double (one Rectangular & one Round) Buccal Tubes, Non-Convertible**
packing in bulk:10pcs/pkg Packing by set:4pcs/set

Sys.	Torq.	Distal Offset	Length (mm)	L/R	.018(In bulk)	.018(Set)	.022(In bulk)	.022(Set)
Roth	-14°	10°	4.2	UR6	62C7-10B-16	6297-10B	62C7-20B-16	6297-20B
				UL6	62C7-10B-26		62C7-20B-26	
	-25°	4°	4.2	LL6	62C7-10B-36		62C7-20B-36	
				LR6	62C7-10B-46		62C7-20B-46	
MBT	-14°	10°	4	UR6	63C7-10B-16	6397-10B	63C7-20B-16	6397-20B
				UL6	63C7-10B-26		63C7-20B-26	
	-20°	0°	4	LL6	63C7-10B-36		63C7-20B-36	
				LR6	63C7-10B-46		63C7-20B-46	


 **1st Molar MIM Single Rectangular Buccal Tubes, Non-Convertible**
Packing in bulk:10pcs/pkg Packing by set:4pcs/set

Sys.	Torq.	Distal Offset	Length (mm)	L/R	.018(In bulk)	.018(Set)	.022(In bulk)	.022(Set)
Edgewise	0°	0° /6°	4.1	UR6	61B7-10B-16	6117-10B	61B7-20B-16	6117-20B
				UL6	61B7-10B-26		61B7-20B-26	
	0°	0° /6°	4.1	LL6	61B7-10B-36		61B7-20B-36	
				LR6	61B7-10B-46		61B7-20B-46	
Roth	-14°	10°	4.1	UR6	62B7-10E-16	6217-10E	62B7-20E-16	6217-20E
				UL6	62B7-10E-26		62B7-20E-26	
	-25°	4°	4.1	LL6	62B7-10E-36		62B7-20E-36	
				LR6	62B7-10E-46		62B7-20E-46	
MBT	-14°	10°	4.1	UR6	63B7-10E-16	6317-10E	63B7-20E-16	6317-20E
				UL6	63B7-10E-26		63B7-20E-26	
	-20°	0°	4.1	LL6	63B7-10E-36		63B7-20E-36	
				LR6	63B7-10E-46		63B7-20E-46	




 1st Molar MIM Single Rectangular Buccal Tubes, Convertible Packing in bulk:10pcs/pkg Packing by set:4pcs/set								
Sys.	Torq.	Distal Offset	Length (mm)	L/R	.018(In bulk)	.018(Set)	.022(In bulk)	.022(Set)
Edgewise	0°	0°	4	UR6	61B7-12J-16	6117-12J	61B7-22J-16	6117-22J
				UL6	61B7-12J-26		61B7-22J-26	
	0°	0°	4	LL6	61B7-12J-36		61B7-22J-36	
				LR6	61B7-12J-46		61B7-22J-46	
Roth	-14°	10°	4.1	UR6	62B7-12J-16	6217-12J	62B7-22J-16	6217-22J
				UL6	62B7-12J-26		62B7-22J-26	
	-25°	4°	4.1	LL6	62B7-12J-36		62B7-22J-36	
				LR6	62B7-12J-46		62B7-22J-46	
MBT	-14°	10°	4.1	UR6	63B7-12J-16	6317-12J	63B7-22J-16	6317-22J
				UL6	63B7-12J-26		63B7-22J-26	
	-20°	0°	4.1	LL6	63B7-12J-36		63B7-22J-36	
				LR6	63B7-12J-46		63B7-22J-46	


 1st Molar MIM Single Rectangular Buccal Tubes(II type), Convertible Packing in bulk:10pcs/pkg Packing by set:4pcs/set								
Sys.	Torq.	Distal Offset	Length (mm)	L/R	.018(In bulk)	.018(Set)	.022(In bulk)	.022(Set)
Roth	-14°	10°	4.1	UR6	62B7-12E-16	6217-12E	62B7-22E-16	6217-22E
				UL6	62B7-12E-26		62B7-22E-26	
	-25°	4°	4.1	LL6	62B7-12E-36		62B7-22E-36	
				LR6	62B7-12E-46		62B7-22E-46	
MBT	-14°	10°	4.1	UR6	63B7-12E-16	6317-12E	63B7-22E-16	6317-22E
				UL6	63B7-12E-26		63B7-22E-26	
	-20°	0°	4.1	LL6	63B7-12E-36		63B7-22E-36	
				LR6	63B7-12E-46		63B7-22E-46	

 1st Molar MIM Mini Single Rectangular Buccal Tubes, Convertible packing in bulk:10pcs/pkg Packing by set:4pcs/set								
Sys.	Torq.	Distal Offset	Length (mm)	L/R	.018(In bulk)	.018(Set)	.022(In bulk)	.022(Set)
Roth	-14°	10°	3	UR6	/	/	62BC-21E-16	/
				UL6	/		62BC-21E-26	
	-25°	0°	3	LL6	/		62BC-21E-36	
				LR6	/		62BC-21E-46	


 1st Molar Double (one Rectangular & one Round) Buccal Tubes, Convertible Packing in bulk:10pcs/pkg Packing by set:4pcs/set								
Sys.	Torq.	Distal Offset	Length (mm)	L/R	.01B(In bulk)	.01B(Set)	.022(In bulk)	.022(Set)
Roth	-14°	10°	4.2	UR6	62C7-11B-16	6297-11B	62C7-21B-16	6297-21B
				UL6	62C7-11B-26		62C7-21B-26	
	-25°	4°	4.2	LL6	62C7-11B-36		62C7-21B-36	
				LR6	62C7-11B-46		62C7-21B-46	
MBT	-14°	10°	4	UR6	63C7-11B-16	6397-11B	63C7-21B-16	6397-21B
				UL6	63C7-11B-26		63C7-21B-26	
	-20°	0°	4	LL6	63C7-11B-36		63C7-21B-36	
				LR6	63C7-11B-46		63C7-21B-46	

 **1st Molar MIM Double Rectangular Buccal Tubes, Convertible**
Packing in bulk:10pcs/pkg Packing by set:4pcs/set

Sys.	Torq.	Distal Offset	Length (mm)	L/R	.018(In bulk)	.018(Set)	.022(In bulk)	.022(Set)
Edgewise	0°	0°	4	UR7	61D7-11J-16	6137-11J	61D7-21J-16	6137-21J
				UL7	61D7-11J-26		61D7-21J-26	
	0°	0°	4	LL7	61D7-11J-36		61D7-21J-36	
				LR7	61D7-11J-46		61D7-21J-46	
Roth	-14°	10°	4	UR7	62D7-12J-16	6237-11J	62D7-22J-16	6237-21J
				UL7	62D7-12J-26		62D7-22J-26	
	-25°	4°	4	LL7	62D7-12J-36		62D7-22J-36	
				LR7	62D7-12J-46		62D7-22J-46	
MBT	-14°	10°	4	UR7	63D7-11J-16	6337-11J	63D7-22J-16	6337-21J
				UL7	63D7-11J-26		63D7-22J-26	
	-20°	0°	4	LL7	63D7-11J-36		63D7-22J-36	
				LR7	63D7-11J-46		63D7-22J-46	


 **1st Molar MIM Mini Double Rectangular Buccal Tubes, Convertible**
Packing in bulk:10pcs/pkg Packing by set:4pcs/set

Sys.	Torq.	Distal Offset	Length (mm)	L/R	.018(In bulk)	.018(Set)	.022(In bulk)	.022(Set)
Roth	-14°	10°	3	UR6	/	/	62DC-21E-16	/
				UL6	/		62DC-21E-26	
	-25°	4°	3	LL6	/		62DC-21E-36	
				LR6	/		62DC-21E-46	

 **1st Molar Triple (Double Rectangular & Round) Buccal Tubes, Convertible**
Packing in bulk:10pcs/pkg Packing by set:4pcs/set

Sys.	Torq.	Distal Offset	Length (mm)	L/R	.018(In bulk)	.018(Set)	.022(In bulk)	.022(Set)
Roth	-14°	10°	4	UR6	/	/	62E7-21B-16	/
				UL6	/		62E7-21B-26	
	/	/	/	LL6	/		/	
				LR6	/		/	
MBT	-14°	10°	4	UR6	/	/	63E7-21B-16	/
				UL6	/		63E7-21B-26	
	/	/	/	LL6	/		/	
				LR6	/		/	

2nd Molar Bondable Buccal Tubes(Non-Convertible)


 **2nd Molar MIM Trumpeted Opening Single Rectangular Buccal Tubes(II type), Non-Convertible**
Packing in bulk:10pcs/pkg Packing by set:4pcs/set

Sys.	Torq.	Distal Offset	Length (mm)	L/R	.018(In bulk)	.018(Set)	.022(In bulk)	.022(Set)
Edgewise	0°	0°	3.2	UR7	61BJ-10E-17	611J-10E	61BJ-20E-17	611J-20E
				UL7	61BJ-10E-27		61BJ-20E-27	
	0°	0°	3.2	LL7	61BJ-10E-37		61BJ-20E-37	
				LR7	61BJ-10E-47		61BJ-20E-47	
Roth	-14°	10°	3.2	UR7	62BJ-10E-17	621J-10E	62BI-20E-17	621J-20E
				UL7	62BJ-10E-27		62BI-20E-27	
	-25°	4°	3.2	LL7	62BJ-10E-37		62BI-20E-37	
				LR7	62BJ-10E-47		62BI-20E-47	
MBT	-14°	10°	3.2	UR7	63BJ-10E-17	631J-10E	63BJ-20E-17	631J-20E
				UL7	63BJ-10E-27		63BJ-20E-27	
	-20°	0°	3.2	LL7	63BJ-10E-37		63BJ-20E-37	
				LR7	63BJ-10E-47		63BJ-20E-47	


 **2nd Molar MIM Trumpeted Opening Single Rectangular Buccal Tubes III type), Non-Convertible**
Packing in bulk:10pcs/pkg Packing by set:4pcs/set

Sys.	Torq.	Distal Offset	Length (mm)	L/R	.018(In bulk)	.018(Set)	.022(In bulk)	.022(Set)
Edgewise	0°	0°	3.2	UR7	61BP-10J-17	611P-10J	61BP-20J-17	611P-20J
				UL7	61BP-10J-27		61BP-20J-27	
	0°	0°	3.2	LL7	61BP-10J-37		61BP-20J-37	
				LR7	61BP-10J-47		61BP-20J-47	
Roth	-14°	10°	3.2	UR7	62BP-10J-17	621P-10J	62BP-20J-17	621P-20J
				UL7	62BP-10J-27		62BP-20J-27	
	-25°	4°	3.2	LL7	62BP-10J-37		62BP-20J-37	
				LR7	62BP-10J-47		62BP-20J-47	
MBT	-14°	10°	3.2	UR7	63BP-10J-17	631P-10J	63BP-20J-17	631P-20J
				UL7	63BP-10J-27		63BP-20J-27	
	-20°	0°	3.2	LL7	63BP-10J-37		63BP-20J-37	
				LR7	63BP-10J-47		63BP-20J-47	

 2nd Molar Single Rectangular Buccal Tubes, Non-Convertible Packing in bulk:10pcs/pkg Packing by set:4pcs/set								
Sys.	Torq.	Distal Offset	Length (mm)	L/R	.01B(In bulk)	.018(Set)	.022(In bulk)	.022(Set)
Edgewise	0°	0°	3.2	UR7	61B8-10B-17	6118-10B	61B8-20B-17	6118-20B
				UL7	61B8-10B-27		61B8-20B-27	
	0°	0°	3.2	LL7	61B8-10B-37		61B8-20B-37	
				LR7	61B8-10B-47		61B8-20B-47	
Roth	-14°	10°	3.2	UR7	62B8-10B-17	6218-10B	62B8-20B-17	6218-20B
				UL7	62B8-10B-27		62B8-20B-27	
	-25°	4°	3.2	LL7	62B8-10B-37		62B8-20B-37	
				LR7	62B8-10B-47		62B8-20B-47	
MBT	-14°	10°	3.2	UR7	63B8-10B-17	6318-10B	63B8-20B-17	6318-20B
				UL7	63B8-10B-27		63B8-20B-17	
	-20°	0°	3.2	LL7	63B8-10B-37		63B8-20B-37	
				LR7	63B8-10B-47		63B8-20B-47	

 2nd MIM Mini Single Rectangular Buccal Tubes, Non-Convertible Packing in bulk:10pcs/pkg Packing by set:4pcs/set								
Sys.	Torq.	Distal Offset	Length (mm)	L/R	.018(In bulk)	.018(Set)	.022(In bulk)	.022(Set)
Roth	-14°	10°	3.4	UR7	/	/	62BD-20E-17	621D-20E
				UL7	/		62BD-20E-27	
	-25°	4°	3.4	LL7	/		62BD-20E-37	
				LR7	/		62BD-20E-47	

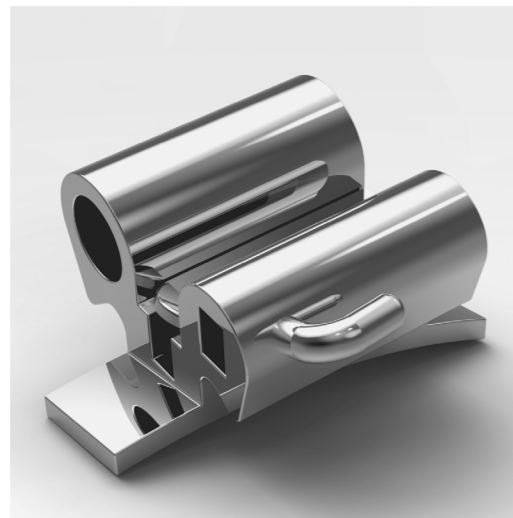
1st Molar Self-ligating Buccal Tubes

 1st Molar Self-ligating Buccal Tubes Packing in bulk:10pcs/pkg Packing by set:4pcs/set								
Sys.	Torq.	Distal Offset	Length (mm)	L/R	.018(In bulk)	.018(Set)	.022(In bulk)	.022(Set)
Roth*	-14°	10°	4.2	UR6	/	/	62F1-20E-16	62F1-20E
				UL6	/	/	62F1-20E-26	
	-25°	4°	4.2	LL6	/	/	62F1-20E-36	
				LR6	/	/	62F1-20E-46	
MBT*	-14°	10°	4.2	UR6	/	/	63F1-20E-16	63F1-20E
				UL6	/	/	63F1-20E-26	
	-20°	0°	4.2	LL6	/	/	63F1-20E-36	
				LR6	/	/	63F1-20E-46	

Weldable Buccal Tubes

1st Molar Buccal Tubes

2nd Molar Buccal Tubes



- Buccal Tubes are designed with funneled and radiused entries on both the headgear tubes and archwire slots, while resulting in easy archwire insertion that can reduce patients' chair time.
- Smooth, patient-friendly hooks improve comfort for your patients.
- You'll also appreciate the strong construction, low-profile design and distal notch that secures tie backs.

1st Molar Weldable Buccal Tubes (Non-Convertible)



1st Molar Single Rectangular Buccal Tubes, Non-Convertible

Packing in bulk:10pcs/pkg Packing by set:4pcs/set

Sys.	Torq.	Distal Offset	Length (mm)	L/R	.018(In bulk)	.018(Set)	.022(In bulk)	.022(Set)
Edgewise	0°	0°	4	UR6	61B1-10F-16	6111-10F	61B1-20F-16	6111-20F
				UL6	61B1-10F-26		61B1-20F-26	
	0°	0°	4	LL6	61B1-10F-36		61B1-20F-36	
				LR6	61B1-10F-46		61B1-20F-46	
Roth	-14°	10°	4	UR6	62B1-10F-16	6211-10F	62B1-20F-16	6211-20F
				UL6	62B1-10F-26		62B1-20F-26	
	-25°	4°	4	LL6	62B1-10F-36		62B1-20F-36	
				LR6	62B1-10F-46		62B1-20F-46	
MBT	-14°	10°	4	UR6	/	/	63B1-20J-16	6311-20J
				UL6	/		63B1-20J-26	
	-20°	0°	4	LL6	/		63B1-20J-36	
				LR6	/		63B1-20J-46	

1st Molar Weldable Buccal Tubes (Convertible)




1st Molar MIM Single Rectangular Buccal Tubes, Convertible

Packing in bulk:10pcs/pkg Packing by set:4pcs/set


Sys.	Torq.	Distal Offset	Length (mm)	L/R	.018(In bulk)	.018(Set)	.022(In bulk)	.022(Set)
Edgewise	0°	0°	4	UR6	61B1-12J-16	6111-12J	61B1-22J-16	6111-22J
				UL6	61B1-12J-26		61B1-22J-26	
	0°	0°	4	LL6	61B1-12J-36		61B1-22J-36	
				LR6	61B1-12J-46		61B1-22J-46	
Roth	-14°	10°	4	UR6	62B1-12J-16	6211-12J	62B1-22J-16	6211-22J
				UL6	62B1-12J-26		62B1-22J-26	
	-25°	4°	4	LL6	62B1-12J-36		62B1-22J-36	
				LR6	62B1-12J-46		62B1-22J-46	
MBT	-14°	10°	4	UR6	63B1-12J-16	6311-12J	63B1-22J-16	6311-22J
				UL6	63B1-12J-26		63B1-22J-26	
	-20°	0°	4	LL6	63B1-12J-36		63B1-22J-36	
				LR6	63B1-12J-46		63B1-22J-46	

 1st Molar MIM Double (one Rectangular & one Round) Buccal Tubes, Convertible Packing in bulk:10pcs/pkg Packing by set:4pcs/set								
Sys.	Torq.	Distal Offset	Length (mm)	L/R	.018(In bulk)	.018(Set)	.022(In bulk)	.022(Set)
Edgewise	0°	0°	4	UR6	61C1-11F-16	6191-11F	61C1-21F-16	6191-21F
				UL6	61C1-11F-26		61C1-21F-26	
	0°	0°	4	LL6	61C1-11F-36		61C1-21F-36	
				LR6	61C1-11F-46		61C1-21F-46	
Roth	-14°	10°	4	UR6	62C1-12J-16	6291-12J	62C1-22J-16	6291-22J
				UL6	62C1-12J-26		62C1-22J-26	
	-14°	10°	4	LL6	62C1-12J-36		62C1-22J-36	
				LR6	62C1-12J-46		62C1-22J-46	
MBT	-14°	10°	4	UR6	63C1-12J-16	6391-12J	63C1-22J-16	6391-22J
				UL6	63C1-12J-26		63C1-22J-26	
	-20°	0°	4	LL6	63C1-12J-36		63C1-22J-36	
				LR6	63C1-12J-46		63C1-22J-46	

 1st Molar MIM Triple (Double Rectangular & Round) Buccal Tubes, Convertible Packing in bulk:10pcs/pkg Packing by set:4pcs/set								
Sys.	Torq.	Distal Offset	Length (mm)	L/R	.018(In bulk)	.018(Set)	.022(In bulk)	.022(Set)
Edgewise	0°	0°	4	UR6	61E1-11B-16	/	61D1-21B-16	/
				UL6	61E1-11B-26		61D1-21B-26	
	/	/	/	LL6	/		/	
				LR6	/		/	
Roth	-14°	10°	4	UR6	62E1-12J-16	/	62E1-22J-16	/
				UL6	62E1-12J-26		62E1-22J-26	
	/	/	/	LL6	/		/	
				LR6	/		/	
MBT	-14°	10°	4	UR6	63E1-11F-16	/	63E1-22J-16	/
				UL6	63E1-11F-26		63E1-22J-26	
	/	/	/	LL6	/		/	
				LR6	/		/	

 1st Molar MIM Double Rectangular Buccal Tubes, Convertible Packing in bulk:10pcs/pkg Packing by set:4pcs/set								
Sys.	Torq.	Distal Offset	Length (mm)	L/R	.018(In bulk)	.018(Set)	.022(In bulk)	.022(Set)
Edgewise	0°	0°	4	UR6	61D1-11B-16	6131-11B	61D1-21B-16	6131-21B
				UL6	61D1-11B-26		61D1-21B-26	
	0°	0°	4	LL6	61D1-11B-36		61D1-21B-36	
				LR6	61D1-11B-46		61D1-21B-46	
Roth	-14°	10°	4	UR6	62D1-12J-16	6231-12J	62D1-22J-16	6231-22J
				UL6	62D1-12J-26		62D1-22J-26	
	-25°	4°	4	LL6	62D1-12J-36		62D1-22J-36	
				LR6	62D1-12J-46		62D1-22J-46	
MBT	-14°	10°	4	UR6	63D1-12J-16	6331-12J	63D1-22J-16	6331-22J
				UL6	63D1-12J-26		63D1-22J-26	
	-20°	4°	4.2	LL6	63D1-12J-36		63D1-22J-36	
				LR6	63D1-12J-46		63D1-22J-46	

2nd Molar Weldable Buccal Tubes(Non-Convertible)

 2nd Molar Single Rectangular Buccal Tubes, Non-Convertible Packing in bulk:10pcs/pkg Packing by set:4pcs/set								
Sys.	Torq.	Distal Offset	Length (mm)	L/R	.018(In bulk)	.018(Set)	.022(In bulk)	.022(Set)
Edgewise	0°	0°	3.2	UR7	61B2-10B-17	6112-10B	61B2-20B-17	6112-20B
				UL7	61B2-10B-27		61B2-20B-27	
	0°	0°	3.2	LL7	61B2-10B-37		61B2-20B-37	
				LR7	61B2-10B-47		61B2-20B-47	
Roth	-14°	10°	3.2	UR7	62B2-10B-17	6212-10B	62B2-20B-17	6212-20B
				UL7	62B2-10B-27		62B2-20B-27	
	-25°	4°	3.2	LL7	62B2-10B-37		62B2-20B-37	
				LR7	62B2-10B-47		62B2-20B-47	
MBT	-14°	10°	3.2	UR7	63B2-10B-17	6312-10B	63B2-20B-17	6312-20B
				UL7	63B2-10B-27		63B2-20B-27	
	-10°	0°	3.2	LL7	63B2-10B-37		63B2-20B-37	
				LR7	63B2-10B-47		63B2-20B-47	






BANDS



SELECT BAND

Step 1. Select Band

Step 2. Select Buccal Tube

	Single	Double	Triple
Non-Convertible			
Convertible			

Step 3. Add Attachments

	Lingual Buttons	Lingual Cleats	Seating Lugs
Lingual Attachments			
Lingual Sheaths			



- Permanent laser ID marking
- Straight interproximal walls for reduced separation
- Reduced gingival/occlusal dimensions for less occlusal and gingival interferences
- Available with micro-etched inner surface for increased retention
- Curved festooned occlusal interproximal walls
- Increased occlusal "Edge" strength for reduced deformation
- E-Inner Rough

Bicuspid Bands

10/pk

Size	Perimeter (mm)	Item No		Perimeter (mm)	Item No		Perimeter (mm)	Item No	
		Upper			Lower 1st			Lower 2nd	
1	21.7	E	5A01-000-U1	19.5	E	5A01-000-L1			
2	22	E	5A01-000-U2	19.84	E	5A01-000-L2			
3	22.3	E	5A01-000-U3	20.18	E	5A01-000-L3			
4	22.6	E	5A01-000-U4	20.52	E	5A01-000-L4			
5	22.9	E	5A01-000-U5	20.86	E	5A01-000-L5			
6	23.2	E	5A01-000-U6	21.2	E	5A01-000-L6			
7	23.5	E	5A01-000-U7	21.54	E	5A01-000-L7			
8	23.8	E	5A01-000-U8	21.88	E	5A01-000-L8			
9	24.1	E	5A01-000-U9	22.22	E	5A01-000-L9			
10	24.4	E	5A01-000-U10	22.56	E	5A01-000-L10			
11	24.7	E	5A01-000-U11	22.9	E	5A01-000-L11	22.8	E	5A02-000-11 L
12	25	E	5A01-000-U12	23.24	E	5A01-000-L12	23.14	E	5A02-000-12L
13	25.3	E	5A01-000-U13	23.58	E	5A01-000-L13	23.48	E	5A02-000-13L
14	25.6	E	5A01-000-U14	23.92	E	5A01-000-L14	23.82	E	5A02-000-14L
15	25.9	E	5A01-000-U15	24.26	E	5A01-000-L15	24.16	E	5A02-000-15L
16	26.2	E	5A01-000-U16	24.6	E	5A01-000-L16	24.5	E	5A02-000-16L
17	26.5	E	5A01-000-U17	24.94	E	5A01-000-L17	24.84	E	5A02-000-17L
18	26.8	E	5A01-000-U18		E		25.18	E	5A02-000-18L
19	27.1	E	5A01-000-U19		E		25.52	E	5A02-000-19L
20	27.4	E	5A01-000-U20		E		25.86	E	5A02-000-20L
21	27.7	E	5A01-000-U21		E		26.2	E	5A02-000-21 L
22	28	E	5A01-000-U22		E		26.54	E	5A02-000-22L
23	28.3	E	5A01-000-U23		E		26.88	E	5A02-000-23L
24	28.6	E	5A01-000-U24		E		27.22	E	5A02-000-24L
25	28.9	E	5A01-000-U25		E		27.56	E	5A02-000-25L
26	29.2	E	5A01-000-U26		E		27.9	E	5A02-000-26L
27	29.5	E	5A01-000-U27		E		28.24	E	5A02-000-27L
28	29.8	E	5A01-000-U28		E		28.58	E	5A02-000-28L
29	30.1	E	5A01-000-U29		E		28.92	E	5A02-000-29L
30	30.4	E	5A01-000-U30		E		29.26	E	5A02-000-30L
31	30.7	E	5A01-000-U31		E		29.6	E	5A02-000-31 L
32	31	E	5A01-000-U32		E		29.94	E	5A02-000-32L

Band

1st Molar Bands M Size

10/pk

Size	Perimeter (mm)	Item No							
			UR		UL		LL		LR
28	28	E	5003-000-128	E	5003-000-228	E	5003-000-328	E	5003-000-428
28+	28.5	E	5003-000-128+	E	5003-000-228+	E	5003-000-328+	E	5003-000-428+
29	29	E	5003-000-129	E	5003-000-229	E	5003-000-329	E	5003-000-429
29+	29.5	E	5003-000-129+	E	5003-000-229+	E	5003-000-329+	E	5003-000-429+
30	30	E	5003-000-130	E	5003-000-230	E	5003-000-330	E	5003-000-430
30+	30.5	E	5003-000-130+	E	5003-000-230+	E	5003-000-330+	E	5003-000-430+
31	31	E	5003-000-131	E	5003-000-231	E	5003-000-331	E	5003-000-431
31 +	31.5	E	5003-000-131 +	E	5003-000-231 +	E	5003-000-331 +	E	5003-000-431 +
32	32	E	5003-000-132	E	5003-000-232	E	5003-000-332	E	5003-000-432
32+	32.5	E	5003-000-132 +	E	5003-000-232 +	E	5003-000-332 +	E	5003-000-432 +
33	33	E	5003-000-133	E	5003-000-233	E	5003-000-333	E	5003-000-433
33+	33.5	E	5003-000-133 +	E	5003-000-233 +	E	5003-000-333 +	E	5003-000-433 +
34	34	E	5003-000-134	E	5003-000-234	E	5003-000-334	E	5003-000-434
34+	34.5	E	5003-000-134 +	E	5003-000-234 +	E	5003-000-334 +	E	5003-000-434 +
35	35	E	5003-000-135	E	5003-000-235	E	5003-000-335	E	5003-000-435
35+	35.5	E	5003-000-135+	E	5003-000-235 +	E	5003-000-335 +	E	5003-000-435 +
36	36	E	5003-000-136	E	5003-000-236	E	5003-000-336	E	5003-000-436
36+	36.5	E	5003-000-136 +	E	5003-000-236 +	E	5003-000-336 +	E	5003-000-436 +
37	37	E	5003-000-137	E	5003-000-237	E	5003-000-337	E	5003-000-437
37+	37.5	E	5003-0-137 +	E	5003-000-237 +	E	5003-000-337 +	E	5003-000-437 +
38	38	E	5003-000-138	E	5003-000-238	E	5003-000-338	E	5003-000-438
38+	38.5	E	5003-000-138+	E	5003-000-238 +	E	5003-000-338 +	E	5003-000-438 +
39	39	E	5003-000-139	E	5003-000-239	E	5003-000-339	E	5003-000-439
39+	39.5	E	5003-000-139 +	E	5003-000-239 +	E	5003-000-339 +	E	5003-000-439 +
40	40	E	5003-000-140	E	5003-000-240	E	5003-000-340	E	5003-000-440
40+	40.5	E	5003-000-140 +	E	5003-000-240 +	E	5003-000-340 +	E	5003-000-440 +
41	41	E	5003-000-141	E	5003-000-241	E	5003-000-341	E	5003-000-441
41 +	41.5	E	5003-000-141 +	E	5003-000-241 +	E	5003-000-341 +	E	5003-000-441 +
42	42	E	5003-000-142	E	5003-000-242	E	5003-000-342	E	5003-000-442
42+	42.5	E	5003-000-142 +	E	5003-000-242 +	E	5003-000-342 +	E	5003-000-442 +
43	43	E	5003-000-143	E	5003-000-243	E	5003-000-343	E	5003-000-443
43+	43.5	E	5003-000-143 +	E	5003-000-243 +	E	5003-000-343 +	E	5003-000-443 +
44	44	E	5003-000-144	E	5003-000-244	E	5003-000-344	E	5003-000-444
44+	44+	E	5003-000-144+	E	5003-000-244+	E	5003-000-344+	E	5003-000-444+

1st Molar Bands O Size

10/pk

Size	Perimeter (mm)	Item No							
			UR		UL		LL		LR
5	30	E	5005-000 - 105	E	5005-000 - 205	E	5005-000 - 305	E	5005-000 - 405
6	30.5	E	5005-000 - 106	E	5005-000 - 206	E	5005-000 - 306	E	5005-000 - 406
7	31	E	5005-000 - 107	E	5005-000 - 207	E	5005-000 - 307	E	5005-000 - 407
8	31.5	E	5005-000 - 108	E	5005-000 - 208	E	5005-000 - 308	E	5005-000 - 408
9	32	E	5005-000 - 109	E	5005-000 - 209	E	5005-000 - 309	E	5005-000 - 409
10	32.5	E	5005-000 - 110	E	5005-000 - 210	E	5005-000 - 310	E	5005-000 - 410
11	33	E	5005-000 - 111	E	5005-000 - 211	E	5005-000 - 311	E	5005-000 - 411
12	33.5	E	5005-000 - 112	E	5005-000 - 212	E	5005-000 - 312	E	5005-000 - 412
13	34	E	5005-000 - 113	E	5005-000 - 213	E	5005-000 - 313	E	5005-000 - 413
14	34.5	E	5005-000 - 114	E	5005-000 - 214	E	5005-000 - 314	E	5005-000 - 414
15	35	E	5005-000 - 115	E	5005-000 - 215	E	5005-000 - 315	E	5005-000 - 415
16	35.5	E	5005-000 - 116	E	5005-000 - 216	E	5005-000 - 316	E	5005-000 - 416
17	36	E	5005-000 - 117	E	5005-000 - 217	E	5005-000 - 317	E	5005-000 - 417
18	36.5	E	5005-000 - 118	E	5005-000 - 218	E	5005-000 - 318	E	5005-000 - 418
19	37	E	5005-000 - 119	E	5005-000 - 219	E	5005-000 - 319	E	5005-000 - 419
20	37.5	E	5005-000 - 120	E	5005-000 - 220	E	5005-000 - 320	E	5005-000 - 420
21	38	E	5005-000 - 121	E	5005-000 - 221	E	5005-000 - 321	E	5005-000 - 421
22	38.5	E	5005-000 - 122	E	5005-000 - 222	E	5005-000 - 322	E	5005-000 - 422
23	39	E	5005-000 - 123	E	5005-000 - 223	E	5005-000 - 323	E	5005-000 - 423
24	39.5	E	5005-000 - 124	E	5005-000 - 224	E	5005-000 - 324	E	5005-000 - 424
25	40	E	5005-000 - 125	E	5005-000 - 225	E	5005-000 - 325	E	5005-000 - 425
26	40.5	E	5005-000 - 126	E	5005-000 - 226	E	5005-000 - 326	E	5005-000 - 426
27	41	E	5005-000 - 127	E	5005-000 - 227	E	5005-000 - 327	E	5005-000 - 427
28	41.5	E	5005-000 - 128	E	5005-000 - 228	E	5005-000 - 328	E	5005-000 - 428
29	42	E	5005-000 - 129	E	5005-000 - 229	E	5005-000 - 329	E	5005-000 - 429
30	42.5	E	5005-000 - 130	E	5005-000 - 230	E	5005-000 - 330	E	5005-000 - 430
31	43	E	5005-000 - 131	E	5005-000 - 231	E	5005-000 - 331	E	5005-000 - 431
32	43.5	E	5005-000 - 132	E	5005-000 - 232	E	5005-000 - 332	E	5005-000 - 432
33	44	E	5005-000 - 133	E	5005-000 - 233	E	5005-000 - 333	E	5005-000 - 433
34	44.5	E	5005-000 - 134	E	5005-000 - 234	E	5005-000 - 334	E	5005-000 - 434
35	45	E	5005-000 - 135	E	5005-000 - 235	E	5005-000 - 335	E	5005-000 - 435
36	45.5	E	5005-000 - 136	E	5005-000 - 236	E	5005-000 - 336	E	5005-000 - 436

Band





2nd Molar Bands M Size

10/pk

Size	Perimeter (mm)	Item No							
			UR		UL		LL		LR
28	28	E	5004-000-128	E	5004-000-228	E	5004-000-328	E	5004-000-428
28+	28.5	E	5004-000-128+	E	5004-000-228+	E	5004-000-328+	E	5004-000-428+
29	29	E	5004 - 000 - 129	E	5004 - 000 - 229	E	5004 - 000 - 329	E	5004 - 000 - 429
29+	29.5	E	5004 - 000 - 129+	E	5004 - 000 - 229+	E	5004 - 000 - 329+	E	5004 - 000 - 429+
30	30	E	5004 - 000 - 130	E	5004 - 000 - 230	E	5004 - 000 - 330	E	5004 - 000 - 430
30+	30.5	E	5004 - 000 - 130+	E	5004 - 000 - 230+	E	5004 - 000 - 330+	E	5004 - 000 - 430+
31	31	E	5004 - 000 - 131	E	5004 - 000 - 231	E	5004 - 000 - 331	E	5004 - 000 - 431
31+	31.5	E	5004-000-131+	E	5004 - 000 - 231 +	E	5004 - 000 - 331 +	E	5004 - 000 - 431 +
32	32	E	5004 - 000 - 132	E	5004 - 000 - 232	E	5004 - 000 - 332	E	5004 - 000 - 432
32+	32.5	E	5004 - 000 - 132+	E	5004 - 000 - 232 +	E	5004 - 000 - 332+	E	5004 - 000 - 432+
33	33	E	5004 - 000 - 133	E	5004 - 000 - 233	E	5004 - 000 - 333	E	5004 - 000 - 433
33+	33.5	E	5004 - 000 - 133+	E	5004 - 000 - 233+	E	5004 - 000 - 333+	E	5004 - 000 - 433+
34	34	E	5004 - 000 - 134	E	5004 - 000 - 234	E	5004 - 000 - 334	E	5004 - 000 - 434
34+	34.5	E	5004 - 000 - 134+	E	5004 - 000 - 234 +	E	5004 - 000 - 334+	E	5004 - 000 - 434+
35	35	E	5004 - 000 - 135	E	5004 - 000 - 235	E	5004 - 000 - 335	E	5004 - 000 - 435
35+	35.5	E	5004 - 000 - 135+	E	5004 - 000 - 235+	E	5004 - 000 - 335+	E	5004 - 000 - 435+
36	36	E	5004 - 000 - 136	E	5004 - 000 - 236	E	5004 - 000 - 336	E	5004 - 000 - 436
36+	36.5	E	5004 - 000 - 136+	E	5004 - 000 - 236+	E	5004 - 000 - 336+	E	5004 - 000 - 436+
37	37	E	5004 - 000 - 137	E	5004 - 000 - 237	E	5004 - 000 - 337	E	5004 - 000 - 437
37+	37.5	E	5004 - 000 - 137+	E	5004 - 000 - 237 +	E	5004 - 000 - 337 +	E	5004 - 000 - 437 +
38	38	E	5004 - 000 - 138	E	5004 - 000 - 238	E	5004 - 000 - 338	E	5004 - 000 - 438
38+	38.5	E	5004 - 000 - 138+	E	5004 - 000 - 238+	E	5004 - 000 - 338+	E	5004 - 000 - 438+
39	39	E	5004 - 000 - 139	E	5004 - 000 - 239	E	5004 - 000 - 339	E	5004 - 000 - 439
39+	39.5	E	5004 - 000 - 139+	E	5004 - 000 - 239+	E	5004 - 000 - 339+	E	5004 - 000 - 439+
40	40	E	5004 - 000 - 140	E	5004 - 000 - 240	E	5004 - 000 - 340	E	5004 - 000 - 440
40+	40.5	E	5004 - 000 - 140+	E	5004 - 000 - 240+	E	5004 - 000 - 340+	E	5004 - 000 - 440+
41	41	E	5004 - 000 - 141	E	5004 - 000 - 241	E	5004 - 000 - 341	E	5004 - 000 - 441
41+	41.5	E	5004 - 000 - 141+	E	5004 - 000 - 241+	E	5004 - 000 - 342	E	5004 - 000 - 441+
42	42	E	5004 - 000 - 142	E	5004 - 000 - 242	E	5004 - 000 - 343	E	5004 - 000 - 442

Lingual Sheaths

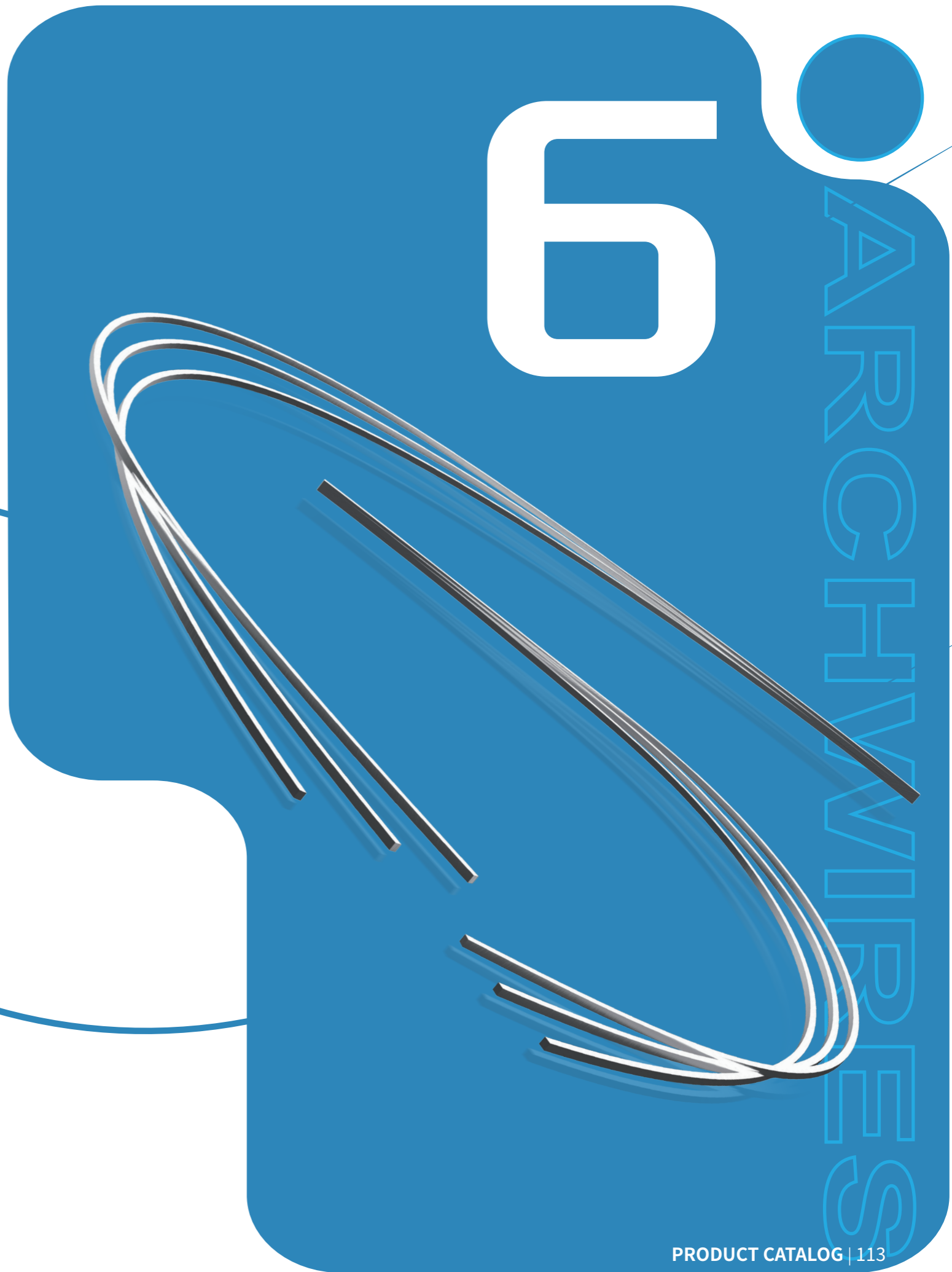
10/pk

Specifications	Item No.	Picture	Designation
Without Hook or Indent	9133-104		<ul style="list-style-type: none"> The horizontal style slotted tube The welding flanges curved slightly for a good adaptation to bands A wide range of availability
Without Hook with Indent	9133-105		
With Hook with Indent (Distal L)	9133-106		
With Hook with Indent (Distal R)	9133-107		

ARCHWIRES

ARCHWIRES

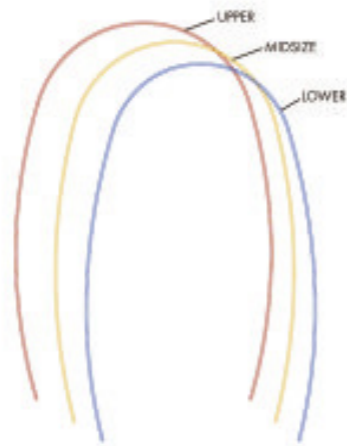
• STAINLESS STEEL ARCHWIRES	114
• STAINLESS STEEL STRAIGHT LENGTHS	116
• LIGATURE WIRES	116
• PREFORMED LIGATURE	117
• KOBAYASHI TIES	117
• NICKEL TITANIUM ARCHWIRE	119
• NITI SUPER-ELASTIC ARCHWIRE	120
• NITI HEAT ACTIVATED ARCHWIRE	121
• NITI REVERSE CURVE OF SPEE	121



Stainless Steel Archwire

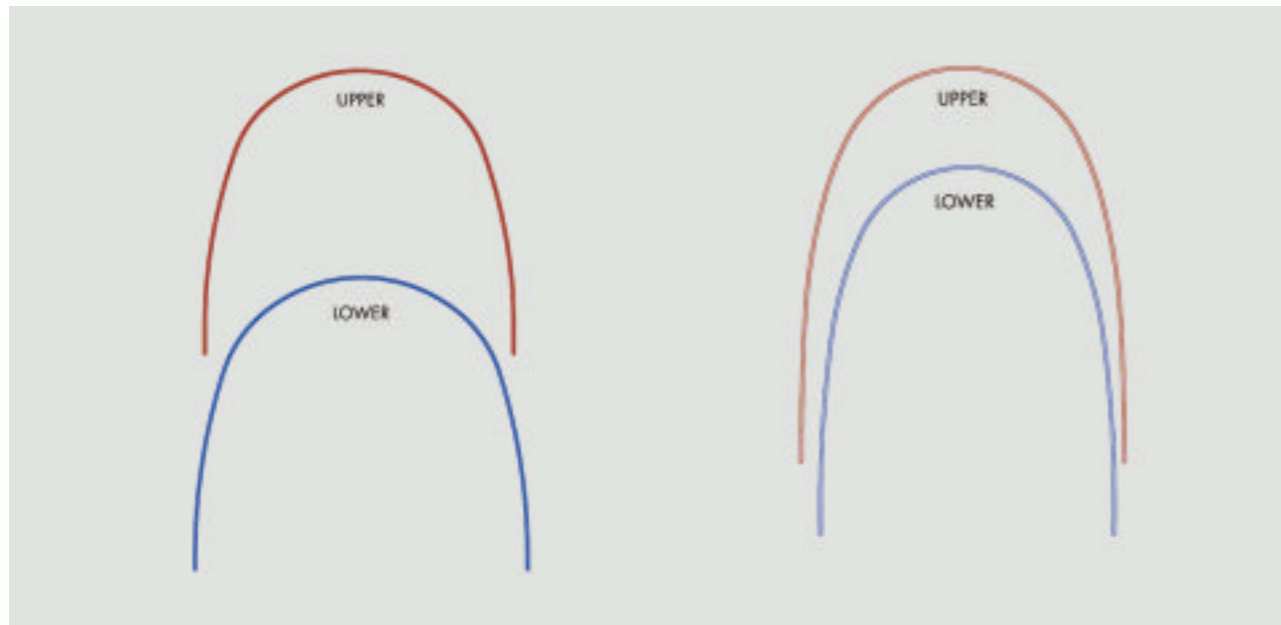
Arch Forms

Natural Stainless Steel



Square Stainless Steel

Ovoid Stainless Steel



Stainless Steel Archwires

Stainless Steel Archwires made from the highest quality 304V vacuum Arc Remenited (VAR), combine superior strength and stiffness with advanced flexibility, allowing them to accept bends without breaking.

10/pk

Round						
Size	Square		Ovoid		Nature	
	Upper	Lower	Upper	Lower	Upper	Lower
0.012"	3611-0012	3621-0012	3612-0012	3622-0012	3613-0012	3623-0012
0.014"	3611-0014	3621-0014	3612-0014	3622-0014	3613-0014	3623-0014
0.016"	3611-0016	3621-0016	3612-0016	3622-0016	3613-0016	3623-0016
0.018"	3611-0018	3621-0018	3612-0018	3622-0018	3613-0018	3623-0018
0.020"	3611-0020	3621-0020	3612-0020	3622-0020	3613-0020	3623-0020

Rectangular						
0.016" x 0.016"	3511-1616	3521-1616	3512-1616	3522-1616	3513-1616	3523-1616
0.016" x 0.022"	3511-1622	3521-1622	3512-1622	3522-1622	3513-1622	3523-1622
0.016" x 0.025"	3511-1625	3521-1625	3512-1625	3522-1625	3513-1625	3523-1625
0.017" x 0.017"	3511-1717	3521-1717	3512-1717	3522-1717	3513-1717	3523-1717
0.017" x 0.025"	3511-1725	3521-1725	3512-1725	3522-1725	3513-1725	3523-1725
0.018" x 0.018"	3511-1818	3521-1818	3512-1818	3522-1818	3513-1818	3523-1818
0.018" x 0.025"	3511-1825	3521-1825	3512-1825	3522-1825	3513-1825	3523-1825
0.019" x 0.025"	3511-1925	3521-1925	3512-1925	3522-1925	3513-1925	3523-1925
0.020" x 0.020"	3511-2020	3521-2020	3512-2020	3522-2020	3513-2020	3523-2020
0.021" x 0.025"	3511-2125	3521-2125	3512-2125	3522-2125	3513-2125	3523-2125
0.021" x 0.028"	3511-2128	3521-2128	3512-2128	3522-2128	3513-2128	3523-2128

Stainless Steel Straight Lengths

Stainless Steel Straight Lengths combine superior straight and stiffness with excellent flexibility perfect for your custom wire-forming needs. Made from quality 304V vacuum Arch Remelted (VAR) stainless steel, this alloy is very easy to work with and will accept loops and bends without breaking.



10/pk

Size	Item Number
0.012"	3636-0012
0.014"	3636-0014
0.016"	3636-0016
0.018"	3636-0018
0.020"	3636-0020



10/pk

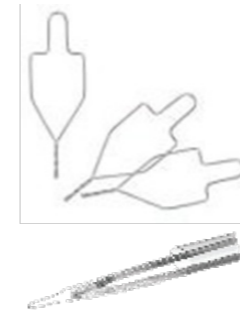
Size	Item Number
0.016"x0.016"	3536-1616
0.016"x0.022"	3536-1622
0.017"x0.025"	3536-1725
0.018"x0.018"	3536-1818
0.018"x0.025"	3536-1825
0.019"x0.025"	3536-1925
0.020"x0.020"	3536-2020
0.021"x0.025"	3536-2125



Ligature Wires

50g/pk

Size	Item Number
0.009	9402-0020
0.010	9402-0025
0.012	9402-0030



Preformed Ligature

1000/pk

Size		Item Number
0.010	Short	3651-0025
0.009	Long	3653-0020
0.010	Long	3653-0025
0.012	Long	3653-0030

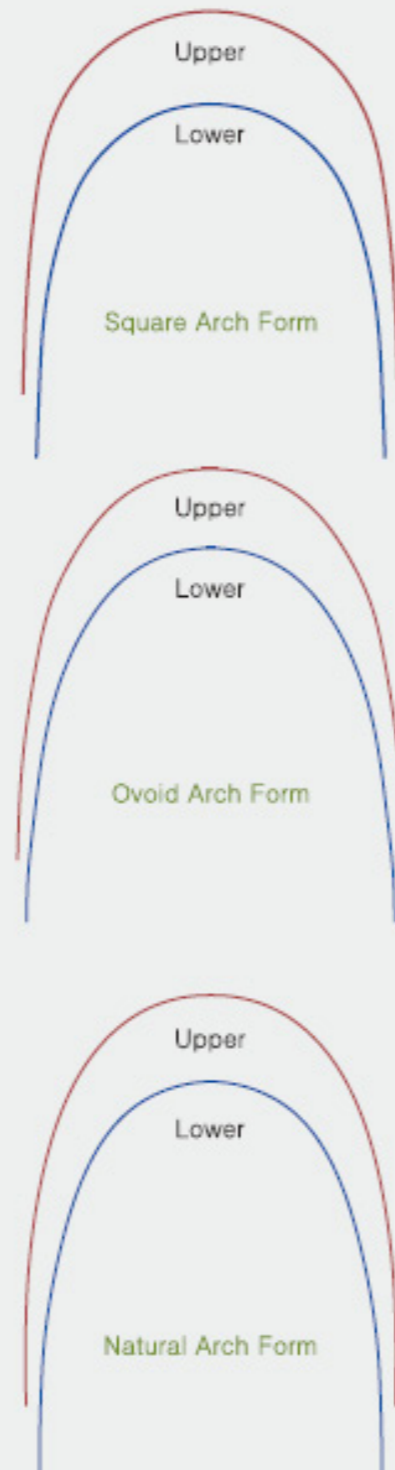


Kobayashi Ties

100/pk

Size		Item Number
0.012	Short	3652-0030
0.014	Short	3652-0035
0.012	Long	3654-0030
0.014	Long	3654-0035

NiTi Arch Forms

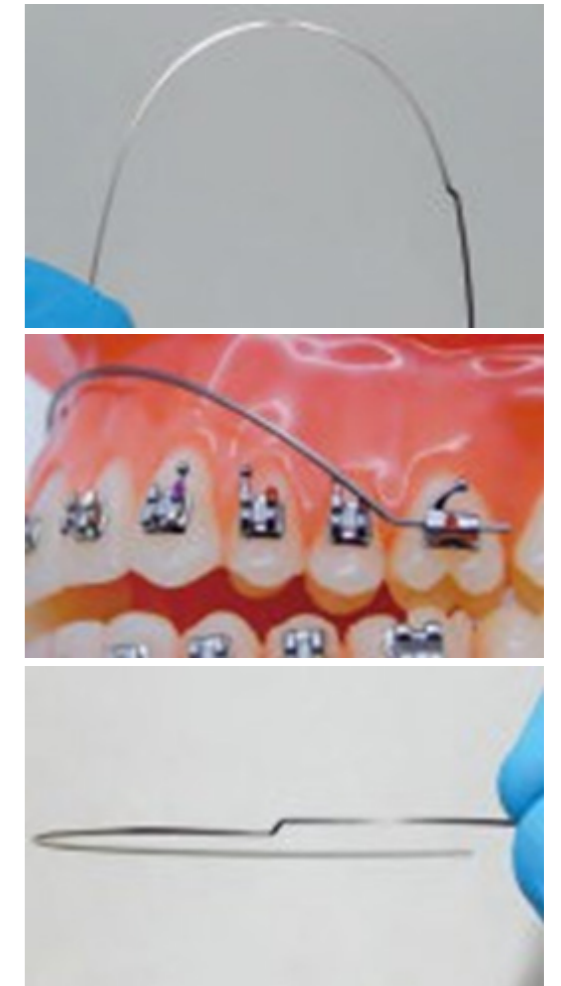


Nickel Titanium Archwire

Niti alloy is one shape memory alloy that ratio of expansion and contraction can reach much more than 20%, fatigue life can reach seventh power of 1×10^{10} , the damping characteristic is higher 10 multiple than normal spring, corrosion resistance is better than the best medical stainless steel. It can meet all kinds of engineering and medical needs that is one perfect functional material. Excepting particular shape memory function, Niti alloy possesses anti abrasive, corrosion resistant, high damping characteristic and super-elastic features.

● The Main Features:

- Higher lustrousness which adopts Germany equipment to polish
- More smooth surface that reduces friction with brackets.
- Remarkable curative effect in treating open bite, cross bite, torsion and crowding teeth.

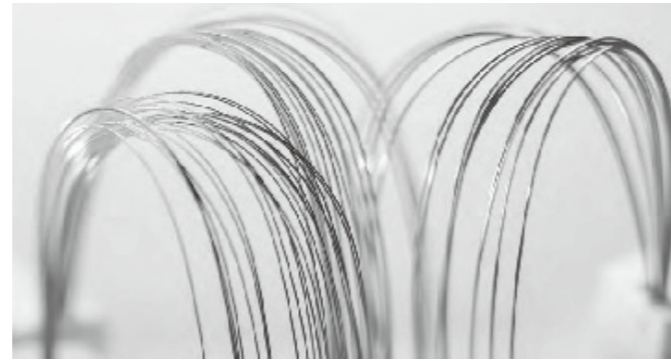


NiTi Super-Elastic Archwire

· Great to open deep bite cases and control arch levelness during canine retraction.

· 3-Dimensional control of teeth movement to counteract the side effect of closing chain" with regular NiTi".

· Available in round and rectangular sizes, regular and straight leg shapes



10/PK

Round						
Size	Square		Ovoid		Nature	
	Upper	Lower	Upper	Lower	Upper	Lower
0.010"	3111-0010	3121-0010	3112-0010	3122-0010	3113-0010	3123-0010
0.012"	3111-0012	3121-0012	3112-0012	3122-0012	3113-0012	3123-0012
0.014"	3111-0014	3121-0014	3112-0014	3122-0014	3113-0014	3123-0014
0.016"	3111-0016	3121-0016	3112-0016	3122-0016	3113-0016	3123-0016
0.018"	3111-0018	3121-0018	3112-0018	3122-0018	3113-0018	3123-0018
0.020"	3111-0020	3121-0020	3112-0020	3122-0020	3113-0020	3123-0020

Rectangular						
0.016"x0.016"	3111-1616	3121-1616	3112-1616	3122-1616	3113-1616	3123-1616
0.016"x0.022"	3111-1622	3121-1622	3112-1622	3122-1622	3113-1622	3123-1622
0.017"x0.022"	3111-1722	3121-1722	3112-1722	3122-1722	3113-1722	3123-1722
0.017"x0.025"	3111-1725	3121-1725	3112-1725	3122-1725	3113-1725	3123-1725
0.018"x0.018"	3111-1818	3121-1818	3112-1818	3122-1818	3113-1818	3123-1818
0.018"x0.022"	3111-1822	3121-1822	3112-1822	3122-1822	3113-1822	3123-1822
0.018"x0.025"	3111-1825	3121-1825	3112-1825	3122-1825	3113-1825	3123-1825
0.019"x0.025"	3111-1925	3121-1925	3112-1925	3122-1925	3113-1925	3123-1925
0.021"x0.025"	3111-2125	3121-2125	3112-2125	3122-2125	3113-2125	3123-2125

NiTi Heat Activated Archwire

· Great for crowded cmes where aligning and leveling will be carried out simultaneously.

· Provides light continuous force.

10/PK

Round						
Size	Square		Ovoid		Nature	
	Upper	Lower	Upper	Lower	Upper	Lower
0.012"	3211-0012	3221-0012	3212-0012	3222-0012	3213-0012	3223-0012
0.014"	3211-0014	3221-0014	3212-0014	3222-0014	3213-0014	3223-0014
0.016"	3211-0016	3221-0016	3212-0016	3222-0016	3213-0016	3223-0016
0.018"	3211-0018	3221-0018	3212-0018	3222-0018	3213-0018	3223-0018
0.020"	3211-0020	3221-0020	3212-0020	3222-0020	3213-0020	3223-0020

Rectangular						
0.016"x0.016"	3211-1616	3221-1616	3212-1616	3222-1616	3213-1616	3223-1616
0.016"x0.022"	3211-1622	3221-1622	3212-1622	3222-1622	3213-1622	3223-1622
0.017"x0.022"	3211-1722	3221-1722	3212-1722	3222-1722	3213-1722	3223-1722
0.017"x0.025"	3211-1725	3221-1725	3212-1725	3222-1725	3213-1725	3223-1725
0.018"x0.018"	3211-1818	3221-1818	3212-1818	3222-1818	3213-1818	3223-1818
0.018"x0.022"	3211-1822	3221-1822	3212-1822	3222-1822	3213-1822	3223-1822
0.018"x0.025"	3211-1825	3221-1825	3212-1825	3222-1825	3213-1825	3223-1825
0.019"x0.025"	3211-1925	3221-1925	3212-1925	3222-1925	3213-1925	3223-1925
0.021"x0.025"	3211-2125	3221-2125	3212-2125	3222-2125	3213-2125	3223-2125

NiTi Reverse Curve of Spee

2/pk



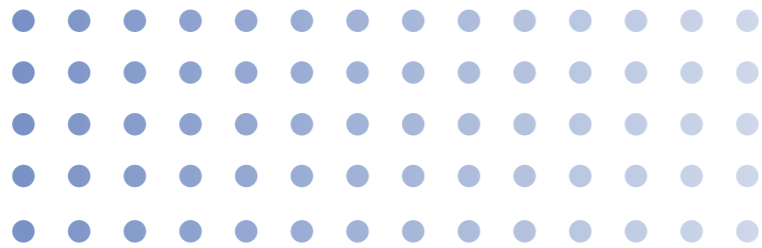
Round				
Size	Square		Ovoid	
	Upper	Lower	Upper	Lower
0.012"	3311-0012	3321-0012	3312-0012	3322-0012
0.014"	3311-0014	3321-0014	3312-0014	3322-0014
0.016"	3311-0016	3321-0016	3312-0016	3322-0016
0.018"	3311-0018	3321-0018	3312-0018	3322-0018
0.020"	3311-0020	3321-0020	3312-0020	3322-0020

Rectangular				
0.016"x0.016"	3311-1616	3321-1616	3312-1616	3322-1616
0.016"x0.022"	3311-1622	3321-1622	3312-1622	3322-1622
0.017"x0.022"	3311-1722	3321-1722	3312-1722	3322-1722
0.017"x0.025"	3311-1725	3321-1725	3312-1725	3322-1725
0.018"x0.018"	3311-1818	3321-1818	3312-1818	3322-1818
0.018"x0.022"	3311-1822	3321-1822	3312-1822	3322-1822
0.018"x0.025"	3311-1825	3321-1825	3312-1825	3322-1825
0.019"x0.025"	3311-1925	3321-1925	3312-1925	3322-1925
0.021"x0.025"	3311-2125	3321-2125	3312-2125	3322-2125

ACCESSORIES

ACCESSORIES

- ACCESSORIES



ACCESSORIES

Crimpable Ball Hooks



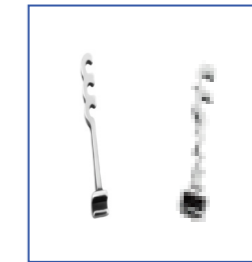
Specifications	Item No.
Univ (Ttop) 2.1mm	9121 - 021
Univ (T Top) 2.7mm	9121 - 027
Univ (T Top) 4.0mm	9121 - 040
Univ (T Top) 5.5mm	9121 - 055
Univ (T Top) 7.0mm	9121 - 070
Rectangular (T Top) 2.1mm	9121 - 221
Rectangular (TTop) 2.7mm	9121 - 227
Rectangular (TTop) 4.0mm	9121 - 240
Rectangular (T Top) 5.5mm	9121 - 255
Rectangular (T Top) 7.0mm	9121 - 270
Round (T Top) 2.1mm	9121 - 121
Round (T Top) 2.7mm	9121 - 127
Round (T Top) 4.0mm	9121 - 140
Round (T Top) 5.5mm	9121 - 155
Round (T Top) 7.0mm	9121 - 170

Specifications	Item No.
Univ (Ball Top) 2.1mm	9120 - 021
Univ (Ball Top) 2.7mm	9120 - 027
Univ (Ball Top) 4.0mm	9120 - 040
Univ (Ball Top) 5.5mm	9120 - 055
Univ (Ball Top) 7.0mm	9120 - 070
Rectangular (Ball Top) 2.1mm	9120 - 221
Rectangular (Ball Top) 2.7mm	9120 - 227
Rectangular (Ball Top) 4.0mm	9120 - 240
Rectangular (Ball Top)5.5mm	9120 - 255
Rectangular (Ball Top)7.0mm	9120 - 270
Round (Ball Top) 2.1mm	9120 - 121
Round (Ball Top) 2.7mm	9120 - 127
Round (Ball Top) 4.0mm	9120 - 140
Round (Ball Top) 7.0mm	9120 - 170
Round (Ball Top) 5.5mm	9120-155



Crimpable Archwire Hooks

Specifications	Item No.
Universal Left 7.0mm	9122-070L
Universal Right 7.0mm	9122-070R
Round Left 7.0mm	9122-170L
Round Right 7.0mm	9122-170R
Rectangular Left 10mm	9122-210L
Rectangular Right 10mm	9122-210R
Rectangular Left 7.0mm	9122-270L
Rectangular Right 7.0mm	9122-270R



Crimpable Spiral Hooks

Specifications	Item No.
Universal Left 10mm	9124-010L
Universal Right 10mm	9124-010R
Universal Left 8.5mm	9124-085L
Universal Right 8.5mm	9124-085R
Rectangular Left 8.5mm	9124-285L
Rectangular Right 8.5mm	9124-285R
Crimpable Hook With Button (left)	9136-216
Crimpable Hook With Button (right)	9136-217

Crimpable Stops







Specifications	Item No.	Picture	Designation
Universal	9123 - 001		• Fits round or rectangular wires
Rectangular	9123 - 201		
Round	9123 - 101		

Tongue Spikes

Specifications	Item No.	Picture	Designation
Tongue Spikes	E9181-001		Simple way to stop tongue thrusting and thumb sucking

Lingual Buttons

10/pk

Speciflcations	Item No.	Picture	Designation
Bondable Mesh Single 3.48m*2.5mm	9130-202		<ul style="list-style-type: none"> Mushroom heads on a curved base that adapt themselves better to both bicuspid bands and molar bands
Weldable 4mm*2.6mm	9131-102		
Bondable F 3mm	9131-203		
Bondable 1#	9131-2A1		
Bondable 2#	9131-2A2		
Bondable 3#	9131-2A3		
Bondable 4#	9131-2A4		
Bondable Mesh Wings F 3.5mm	9132-202		
Bondable Mesh Single Wings	9134-202		
Bondable, coil eyelets	9135-210		

Lingual Cleats

10/pk

Speciflcations	Item No.	Picture	Designation
Short Arms	9132-102		<ul style="list-style-type: none"> Lingual cleats are curved to protect tissue against irritation One cleat accommodates up to three heavy elastics
Long Arms	9132-103		

Seating Lugs

10/pk

Speciflcations	Item No.	Picture	Designation
weldable	9139-101		This lingual attachment may welded to create your preferred band assembly.


Lingual Sheaths

10/pk

Speciflcations	Item No.	Picture	Designation
Without Hook or Indent	9133-104		<ul style="list-style-type: none"> The horizontal style slotted tube The welding flanges curved slightly for a good adaptation to bands A wide range of availability
Without Hook with Indent	9133-105		
With Hook with Indent (Distal L)	9133-106		
With Hook with Indent (Distal R)	9133-107		
With Hook with Indent(Mesial L)	9133-108		
With Hook with Indent (Mesial R)	9133-109		
With Hook without Indent (Distal L/Mesial R)	9133-110		
With Hook without Indent (Distal R/Mesial L)	9133-111		
Bondable without Hook or Indent	9133-204		

Lingual Retainers (Bondable)

10/pk

Speciflcations	Item No.	Picture	Designation
Maxillary 38	9141 - U38		<ul style="list-style-type: none"> Allow for long term stability with physiologic teeth movement Tight mesh base twist facilitates bonding without end loops or bonding pads Bond any or all teeth in segment
Maxillary 40	9141 - U40		
Maxillary 42	9141 - U42		
Maxillary 45	9141 - U45		
Maxillary 47	9141 - U47		
Mandibular 29	9141 - L29		
Mandibular 31	9141 - L31		
Mandibular 33	9141 - L33		
Mandibular 35	9141 - L35		
Mandibular 37	9141 - L37		

NiTi Closed Springs

10/pk

Speciflcations	Item No.	Picture	Speciflcations	Item No.	Picture
Light Force0.008" 10mm	9101 - 109		Light Force0.008" 12mm	9103-109	
Light Force0.008" 12mm	9101 - 110		Light Force0.008" 15mm	9103-110	
Light Force0.008" 13mm	9101 - 112		Light Force0.008" 16mm	9103-112	
Light Force0.008" 16mm	9101 - 114		Light Force0.008" 18mm	9103-114	
Light Force0.008" 18mm	9101 - 116		Light Force0.008" 21mm	9103-116	
Medium Force0.01" 9mm	9101 - 206		Medium Force0.01" 13mm	9103-209	
Medium Force0.01" 10mm	9101 - 209		Medium Force0.01" 15mm	9103-210	
Medium Force0.01" 12mm	9101 - 210		Medium Force0.01" 16mm	9103-212	
Medium Force0.01" 13mm	9101 - 212		Medium Force0.01" 19mm	9103-214	
Medium Force0.01" 16mm	9101 - 214		Medium Force0.01" 21mm	9103-216	
Medium Force0.01" 18mm	9101 - 216		Light Force0.008" 12mm	9104-109	
Light Force0.008" 11mm	9102 - 109		Light Force0.008" 14mm	9104-110	
Light Force0.008" 14mm	9102 - 110		Light Force0.008" 15mm	9104-112	
Light Force0.008" 15mm	9102 - 112		Light Force0.008" 17mm	9104-114	
Light Force0.008" 17mm	9102 - 114		Light Force0.008" 20mm	9104-116	
Light Force0.008" 19mm	9102 - 116		Medium Force0.01" 10mm	9104-206	
Medium Force0.01" 11mm	9102 - 209		Medium Force0.01" 12mm	9104-209	
Medium Force0.01" 14mm	9102 - 210		Medium Force0.01" 14mm	9104-210	
Medium Force0.01" 15mm	9102 - 212		Medium Force0.01" 15mm	9104-212	
Medium Force0.01" 17mm	9102 - 214		Medium Force0.01" 18mm	9104-214	
Medium Force0.01" 20mm	9102 - 216	Medium Force0.01" 20mm	9104-216		

NiTi Open Coil Springs

2/pkg

Speciflcations	Item No.	Picture	Designation
0.010mm	9100-010		Open and maintain space sently and efficiently in a convenient cut to length design
0.012mm	9100-012		

Uprighting Springs

10/pk

Speciflcations	Item No.	Picture	Designation
Clockwise	9106-103		<ul style="list-style-type: none"> Used to upright individual tooth mesiodistally
CCW	9106-203		

Rotating Springs

10/pk

Speciflcations	Item No.	Picture	Designation
Clockwise	9107-103		<ul style="list-style-type: none"> Introduced into pin channel on light wire brackets, after uprighting springs and torquing auxiliaries are removed Useful with tight tooth contact
CCW	9107-203		

Self-Locking Separating Springs

10/pk

Speciflcations	Item No.	Picture	Designation
0.5mm/0.020"	9105-005		<ul style="list-style-type: none"> For separating the teeth to place the bands

Single-Looped Archwires

10/pk

Speciflcations	Item No.	Picture	Designation
0.017x0.025 Small	9108-103		<ul style="list-style-type: none"> Torque control for anterior teeth
0.018x0.025 Small	9108-113		
0.019x0.025 Small	9108-123		
0.017x0.025 Mediun	9108-203		
0.018x0.025 Mediun	9108-213		
0.019x0.025 Mediun	9108-223		
0.017x0.025 Large	9108-303		
0.018x0.025 Large	9108-313		
0.019x0.025 Large	9108-323		
0.016x0.022 Small	9108-A03		
0.016x0.022 Medium	9108-B03		
0.016x0.022 Large	9108-C03		

Five-Looped Archwires

10/pk

Speciflcations	Item No.	Picture	Designation
Small	9109-104		<ul style="list-style-type: none"> Used in BEGG treatment for move anchorage to help posterio teeth move faster
Medium	9109-204		
Large	9109-304		

Expansion Screws

10/pk

Speciflcations	Item No.	Picture	Designation
Mini	9161-001		<ul style="list-style-type: none"> Indications: -Cleft palate -Maxillary arch discrepancies Most have double guide pins for linear movement Single guide pin narrow body configuration available for partial quadrant and expansions Includes adjustment key with each assembly 1/4 turn for expantion 0.2mm
Base	9161-201		
Stent	9162-201		
Stent A	9162-202		

Crimpable Gate Spring

5/pk

Speciflcations	Item No.	Picture	Designation
Crimpable Gate Spring	9108-445-06		Torque control for anterior teeth
Crimpable Gate Spring	9108-445-08		

J Hooks

2/pk

Speciflcations	Item No.	Picture	Designation
Heavy Force I	9031 - 285	Length 85mm	<ul style="list-style-type: none"> A part of extaloral appliance For pulling anterior teeth in and backwards and helping posterio teeth move distally
Heavy Force II	9032 - 285	Length 85m m	
Light Force II	9032 - 165	Levngth 65mm	
LightForce Extra long I	9032 - 178	Length 78mm	

Palatal Arch Bars

10/pk

Speciflcations	Item No.	Picture	Designation
Distal 37#	9151-137		<ul style="list-style-type: none"> Stainless steel palatal bar is designed to fit.036 lingual sheath and provide control of upper first molars
Distal 39#	9151-139		
Distal 41#	9151-141		
Distal 43#	9151-143		
Distal 45#	9151-145		
Distal 47#	9151-147		
Distal 49#	9151-149		
Distal 51#	9151-151		
Distal 53#	9151-153		
Distal 55#	9151-155		
Mesial 37#	9152-137		
Mesial 39#	9152-139		
Mesial 41#	9152-141		
Mesial 43#	9152-143		
Mesial 45#	9152-145		
Mesial 47#	9152-147		
Mesial 49#	9152-149		
Mesial 51#	9152-151		
Mesial 53#	9152-153		
Mesial 55#	9152-155		

Face Bows

1/pk

Speciflcations	Item No.	Picture	Designation
Universal	9020 - 001		<ul style="list-style-type: none"> Universal inner bow diameter is .045 Two friction stops at each end of the inner bow Outer bow non-angulated
Asymmetry Face Bow s 1#	9021 - 083		<ul style="list-style-type: none"> Inner bow with cuspid hooks Outer bow is non-angulated Inner bow diameter is with variaitions to different needs
Asymmetry Face Bow s 2#	9021 - 090		
Asymmetry Face Bow s 3#	9021 - 097		
Asymmetry Face Bow s 4#	9021 - 104		
Asymmetry Face Bow s 5#	9021 - 111		

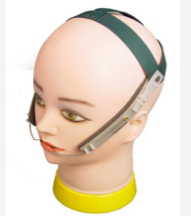
Adjustable Headgears

1/pk

Speciflcations	Item No.	Picture	Designation
Universal	9004 - 001		The kit is used for pulling chin backwards. It contains head cap,chin cup,rivets,elastics and bags
Small	9004 - 102		
Medium	9004 - 202		
Large	9004 - 302		
Universal (With Chin Cups)	9005 - 001		
Small (With Chin Cups)	9005 - 102		
Medium (With Chin Cups)	9005 - 202		
Large (With Chin Cups)	9005 - 302		


Headgears with J-Hook

1/pk

Speciflcations	Item No.	Picture	Designation
Small(with J Hook 9032-165)	9001 - 102		<ul style="list-style-type: none"> • Headcap and J-Hook pre-assembled for your convenience • J-Hooks easily adapatable for fit and comfort • Available in three force levels
Small(with J Hook 9032-178)	9001 - 103		
Medium(with J Hook 9032-165)	9001 - 202		
Medium(with J Hook 9032-178)	9001 - 203		
Large(with J Hook 9032-165)	9001 - 302		
Large(with J Hook 9032-178)	9001 - 303		
Extra Large(with J Hook 9032-165)	9001 - 402		
Extra Large (with J Hook 9032-178)	9001 - 403		

High-Pull Headgears

1/pk

Speciflcations	Item No.	Picture	Designation
Small	9000-101		<ul style="list-style-type: none"> • Headcap is 100% cotton and washable • The safety-release modules can be separated automatically when pulled by an excessive force, so as to reduce the risk of injury caused by face bow
Medium	9000-201		
Large	9000-301		
Extra large	9000-401		

Mandibular Pull Headcaps

1/pk

Speciflcations	Item No.	Picture	Designation
Small	9002 - 101		<ul style="list-style-type: none"> • Designed to prevent and treat malocclusion • Quickly and easily fit to the individual patient • Replacement taps available seperately
Medium	9002 - 201		
Large	9002 - 301		
Extra Large	9002 - 401		

Safety Neck Pads

1/pk

Speciflcations	Item No.	Picture	Designation
Universal Standard	9003-001		<ul style="list-style-type: none"> • Prescription tab force gauges provide adjustable force • Comfortable cloth-cornered foam pad is easily removed for washing • Gauges sold separately
Universal Extra Length	9003-002		
Universal Standard	9003-011		
Universal Extra Length	9003-012		
Safety Release Module	9003-021		



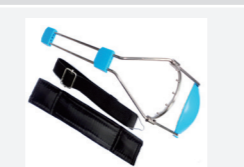
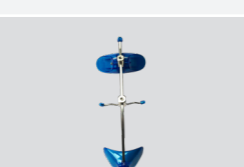
Chin Cups

1/pk

Speciflcations	Item No.	Picture	Designation
Univerdal I	9041-001		<ul style="list-style-type: none"> Made of markrolon of food grade quality or other ABS material The hook at two sides can bear to 10F force
Univerdal II	9042-001		
Leather	9043-001		

Face Masks

1/pk

Speciflcations	Item No.	Picture	Designation
Adjustable	9011-002		<ul style="list-style-type: none"> Maximum patient comfort Treats maxillary insufficiencies Fully adjustable Stainless steel and plastic Leather padded contact points Hexagon key included
Fixed	9012 - 201		
Bi-Shaft	9013 - 001		
Adjustable (shaft blue)	9014- 002		





Stainless Steel Reflectors (Mirrors)

1/pk

Speciflcations	Item No.	Picture	Designation
Stainless Steel Mirror 101	7201-101		<ul style="list-style-type: none"> The Surface is coated with nickel chromium on a copper base to provide clear reflected images with natural color The alloy hardened base will not shatter,chip or break if dropped Anti-scratch
Stainless Steel Mirror 102	7201-102		
Stainless Steel Mirror 103	7201-103		
Stainless Steel Mirror 104	7201-104		
Stainless Steel Mirror 105	7201-105		
Stainless Steel Mirror 106	7201-106		
Stainless Steel Mirror 108	7201-108		
Duplex With Hard Surface 101	7212-101		
Duplex With Hard Surface 102	7212-102		
Duplex With Hard Surface 103	7212-103		
Duplex With Hard Surface 104	7212-104		
Duplex With Hard Surface 105	7212-105		
Duplex With Hard Surface 106	7212-106		
Duplex With Hard Surface 108	7212-108		

Lip Retractors

10/pk

Speciflcations	Item No.	Picture	Designation
Small	7101-101		<ul style="list-style-type: none"> Made of clear plastic of food gradematerial for bonding and photo purpose Compatible with cold sterilization and the autoclave < 120°
Middle	7101-201		
Large	7101-301		
Double Ended	7131-201		

Dry Field Kit

1/pk





Speciflcations	Item No.	Picture	Designation
Dry Field Kit,Red	7109-08A		The Dry Field Kit completely eliminates saliva and fully exposes both arches making it ideal for all bonding applications. Autoclavable to 135°C
Dry Field Kit,White	7109-08B		

Photo Cheek RetractorS

10/pk

Speciflcations	Item No.	Picture	Designation
Children	7112-100		<ul style="list-style-type: none"> Made of clear plastic of food grade material for photo purpose Compatible with cold sterilization and the autoclave <120°C
Adult	7112-200		
Lateral	7122-001		
Lip	7123-001		

Brackets Tray

1/pk

Speciflcations	Item No.	Picture	Designation
single draw	7010-101	285mm*210mm*35mm Weight:4709 	<ul style="list-style-type: none"> Beige plastic with white insert For stocking brackets plastic boxes can be locked together for easy stacking



Bands Tray

1/pk

Speciflcations	Item No.	Picture	Designation
4 Draws for 1st molar bands	7000-101	285mm*210mm*140mm Weight:1880g 	<ul style="list-style-type: none"> Beige plastic with white insert For direct bonds or bands Plastic boxes can be locked together for easy stacking
4 Draws for 2nd molar bands	7000-200		

Arch Turrets

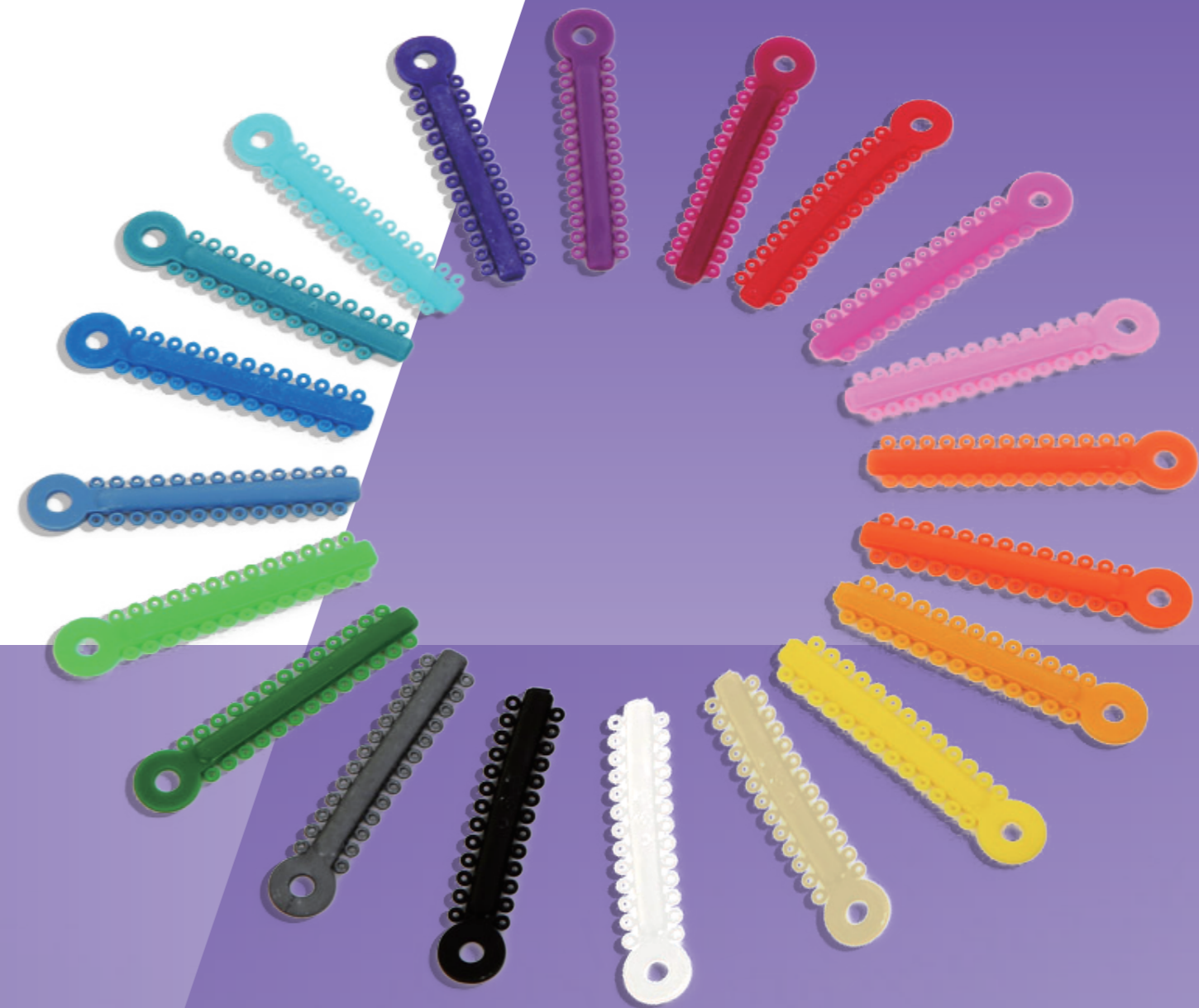
1/pk

Speciflcations	Item No.	Picture	Designation
General Alloy (Aluminum Handle)	7401-100		<ul style="list-style-type: none"> 0° Automatical arch former with precision For wires from 0.16、 0.17、 0.18、 0.19、 0.22
All-Steel High-Precision	7402-200		

ELASTOMERICS

ELASTOMERICS

- LIGATURE TIES
- INTRAORAL ELASTICS
- ELASTOMERIC CHAIN
- ELASTOMERIC SEPARATOR



ELASTOMERICS

Ligature Ties



► Available in bags of 36 sticks, 26 ligatures per stick

Item No.	Specifications	Colors	Item No.	Specifications	Colors
91B1 - 02(00#)	Mixed	Transparent	91B1 - 02(21#)	21#	Dark Orange
91B1 - 02(01#)	1#	White	91B1 - 02(22#)	22#	Peach Pink
91B1 - 02(02#)	2#	Dark Silver-Gray	91B1 - 02(23#)	23#	Light Blue
91B1 - 02(03#)	3#	White	91B1 - 02(24#)	24#	Pale Blue
91B1 - 02(04#)	4#	Red	91B1 - 02(25#)	25#	Metallic Light Blue
91B1 - 02(05#)	5#	Rose Pink	91B1 - 02(26#)	26#	Dark Blue
91B1 - 02(06#)	6#	Golden Yellow	91B1 - 02(27#)	27#	Light Yellow
91B1 - 02(07#)	7#	Orange	91B1 - 02(28#)	28#	Light Violet
91B1 - 02(08#)	8#	Gray	91B1 - 02(29#)	29#	Transparent Red
91B1 - 02(09#)	9#	Black	91B1 - 02(30#)	30#	Red Orange
91B1 - 02(10#)	10#	Green	91B1 - 02(31#)	31#	Transparent Purple
91B1 - 02(11#)	11#	Yellow	91B1 - 02(32#)	32#	Metallic Purple
91B1 - 02(12#)	12#	Purple	91B1 - 02(33#)	33#	Metallic Dark Blue
91B1 - 02(13#)	13#	Blue	91B1 - 02(34#)	34#	Metallic Light Green
91B1 - 02(14#)	14#	Light Green	91B1 - 02(35#)	35#	Metallic Green
91B1 - 02(15#)	15#	Sky Blue	91B1 - 02(36#)	36#	Transparent Light Blue
91B1 - 02(16#)	16#	Violet Blue	91B1 - 02(37#)	37#	Pearl White
91B1 - 02(17#)	17#	Emerald Green	91B1 - 02(38#)	38#	Fluorescent Yellow
91B1 - 02(18#)	18#	Transparent Red	91B1 - 02(39#)	39#	Fluorescent Green
91B1 - 02(19#)	19#	Light Purple	91B1 - 02(40#)	40#	Fluorescent Blue
91B1 - 02(20#)	20#	Pink			

ELASTOMERICS

Intraoral Elastics



► Available in bags of 50 packs, 100 pcs in per pack.

Item No.	Specifications	Item No.	Specifications
9194-1351	1/4" (3.50Z)	9194-1451	1/4" (4.50Z)
9194-1352	1/8" (3.50Z)	9194-1452	1/8" (4.50Z)
9194-1353	3/8" (3.50Z)	9194-1453	3/8" (4.50Z)
9194-1354	3/16" (3.50Z)	9194-1454	3/16" (4.50Z)
9194-1355	5/16" (3.50Z)	9194-1455	5/16" (4.50Z)

◉ Elastomeric Chain

Has 36 colors

Item No.	Specifications
91B4 - 01(01 - 36)	Circle distance 2.8 MM
91B4 - 02(01 - 36)	Circle distance 3.3 MM
91B4 - 03(01 - 36)	Circle distance 3.8 MM

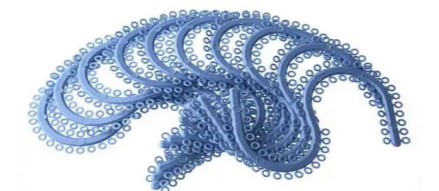


Elastomeric Chain

◉ Elastomeric Separator

1050 pcs in per pack

Item No.	Specifications
91B5 - 05	S - stick separators



Elastomeric Separator

INSTRUMENTS

9

INSTRUMENTS

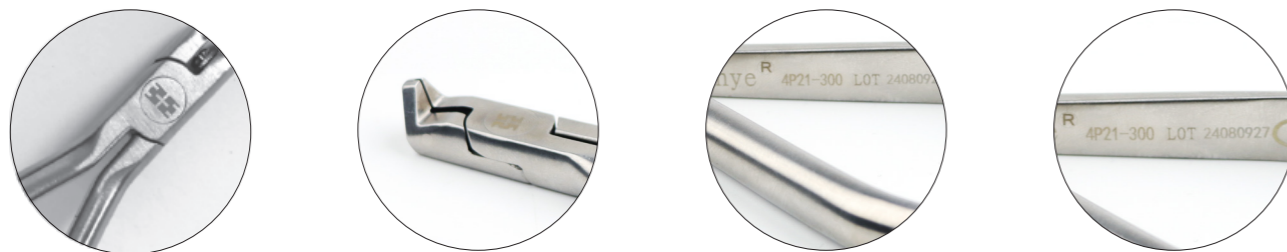
- ELITE SERIES
- FLEX - PLUS SERIES

INSTRUMENTS





- The pliers body is made of imported medical stainless steel, which makes the product with high hardness, not easy to fall off, good performance in corrosion resistance and no discoloration.
- Ergonomic and edge arc design allows doctors to achieve a more comfortable feel and patients with greater safety assurance.
- The use of advanced equipment for production and processing, ensured consistency and stability of products.
- The cutting pliers head uses laser cladding technology which can cut 60 thousand times at a single point. The cutter head is not easy to fall off, to rust and to tarnish.



Ligature Cutter

Item No.	Designation
4F19-100 0° ,Mini	The plier is used to cut ligature wire and rubber band with diameter below 0.3mm.
4F19-113 13° ,Mini	
4P19-300 0°	
4P19-313 13°	
4P19-345 45°	
4P19-400 0° ,Long handle	
4P19-413-13° Long handle	



Distal End Cutter

Item No.	Designation
4F21-200	The plier is used to cut distal of overlong arch wires and can reliable clip the arch wire that was cut down.
4P21-100 4P21-200,Long handle	
4P21-300 4P21-400,Long handle	
4P21-200,Long handle	
4P21-400,Long handle	



Light Wire Plier

Item No.	Designation
4P20-301	Used to bending arch wires with different specifications and fine loops with different radians as well as various reed loops.
4P20-401,Long handle	



Band Remover, Short Jaw

Item No.	Designation
4P30-301	Used to remove the posterior band in the back root area as well as the bracket attachments adhering directly to teeth.



Torque Plier With Key

Item No.	Designation
4P09-301	Used to bend into square wire torque and shall be used in pair. the blade width is 0.050"/1.27mm.



Bracket Remover

Item No.	Designation
4P05-301	Used to remove various brackets of front teeth.



Hard Wire Cutter



Item No.	Designation
4P34-300	Used to cut various Australian wires, niti wires and stainless steel wires with diameter less than 0.030"/0.76mm.

Flush Distal End Cutter



Item No.	Designation
4F28-200,Mini Long handle	The plier is used to cut distal end and can reliably clips the arch wire that was cut down, make the arch wire in parallel with the arch wire hole at the far end of the buccal tube.
4P28-400,Long handle	
4P28-300	

Light Wire Plier with Cutter



Item No.	Designation
4P20-302	Used to bending arch wires with different specifications and fine loops with different radians as well as various reed loops and the middle part of the jaw is used for cutting.
4P20-402,Long handle	

Band Remover, Long Jaw



Item No.	Designation
4P08-400	Used to remove the posterior band in the back root area as well as the bracket attachments adhering directly to teeth.

Torque Plier



Item No.	Designation
4P09-300	Used to bend into square wire torque and shall be used in pair. the blade width is 0.050"/1.27mm.

Loop Bending Plier



Item No.	Designation
4P10-300	Used to bend various diameter-fixed small circular loops of the multi-loop edgewise wire arch, bending diameter is: 2mm, 3.2mm and 4.2mm.

Tweed Loop Bending Plier



Item No.	Designation
4P22-300	To make Ω loop.

Three Jaw Plier



Item No.	Designation
4P12-300	Used to bend V loop and mould various arch wires. arch wires to be bent can be 0.030"/0.76mm.

Weingart Plier



Item No.	Designation
4P13-300	Used to bend distal end of orthodontic arch to avoid damages of oral soft tissue from the arch wire ends.
4P13-400,Long handle	

Tweed Plier



Item No.	Designation
4P14-300	Used for bending small loops of arch wire, stop loops of distal end, etc. Max. 0.022"/0.50mm.

Adhesive Remover Plier, Plastic tip



Item No.	Designation
4P07-301	The distal end cuts and clips the arch wire, in parallel with arch wire hole at the far end of the buccal tube.

Universal Plier



Item No.	Designation
4P16-300	Used for bending, leveling, and cutting..

Posterior Brackets Remover



Item No.	Designation
4P05-302	Used to remove various brackets of posterior root.
4P05-400,Long handle	

Crimpable Hooks Plier



Item No.	Designation
4P02-301	Used to clip and lock the dissociative towing hook.
4F02-302	
4F02-402,Long handle	

Cap Remover Plier



Item No.	Designation
4P03-300	Used to remove the cap covering the buccal tube.
4P03-3F1,replacement	

Band Remover, Plastic



Item No.	Designation
4P08-300	Used to remove the posterior band in the back root area as well as the bracket attachments adhering directly to teeth.

Adhesive Remover Plier



Item No.	Designation
4P07-300	The distal end cuts and clips the arch wire, in parallel with arch wire hole at the far end of the buccal tube.

Jarabak Light Wire Plier



Item No.	Designation
4P20-303	Groove type plier, used for accurately bending arch wire and close loop.

Beak Plier



Item No.	Designation
4F17-300	Groove type plier. the plier adopts nano technology and for accurate bending arch wire and closed loop.

How's Plier



Item No.	Designation
4P18-300	Used to clip and insert the arch wire into buccal tube and to clip ligature wire or used to from the posterior band of the front teeth.

V Bending Plier



Item No.	Designation
4P35-300	Make V-shaped stop loop on the arch wire, including NiTi arch wire, to prevent displacement of arch wires.

NiTi Distal Cinch Back Pliers



Item No.	Designation
4P41-300	Used to bend distal of the NiTi orthodontic arch wires, thus the damage of oral soft tissue from the arch wire end can be avoid.
4P41-400,Long handles	

Step Plie



Item No.	Designation
4F42-305	Designed for creating dimples or bends in orthodontic archwires to control tooth movement and provide anchorage.
4F42-307	
4F42-310	

Elastic Plier Bracket Gauge



Item No.	Designation
4P04-300	Used for placement of elastic separators.



Item No.	Designation
7310-100	Measures 3.4mm, 4.0mm, 4.5mm, and 5.0mm

Kim Plier Nance Loop Bending Plier



Item No.	Designation
4P11-300	Used to bend multi-loop edgewise arch wire and the middle part of the jaw is with cutting function.



Item No.	Designation
4P25-300	Used to bend nance loops of 3,4,5 and 6mm of different height in the orthodontic arch wires and the arch wire can amount 0.020"/0.50mm.

Ceramic Bracket Remover 45° Ω Pier

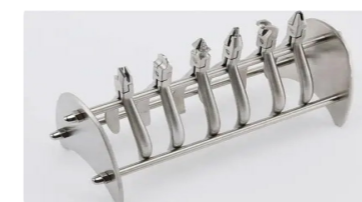


Item No.	Designation
4P48-301	The plier is used to remove various ceramic brackets of front teeth.



Item No.	Designation
4F24-300	To make Ω loops.

Plier Shelf



Item No.	Designation
7013	Used to bend distal end of NiTi orthodontic arch wire that the arch wire can be bent without damage of arch wire and least wastage.
7614 Extra Length	
7015	
7616 Extra Length	

Bracket Gauge



Item No.	Designation
7311	Measures 3.4mm,4.0mm,4.5mm and 5.0mm

Lingual Orthodontic Pliers

4F27-300	Posterior Bending Plier
4F50-200	Niti Distal Torque Cinch Back Plier Mini Long handle
4F49-302	Lingual Posterior Bracket Removing Plier
4F49-301	Lingual Anterior Bracket Removing Plier
4F43-300	Lingual Weingart Plier
4F43-402	Lingual Light Wire Cutter Reverse 45°
4F43-401	Lingual Light Wire Cutter Forward 45°

invisible-align series

orthodontic pliers



The Vertical Plier
4P55-301



The Hole Punch Plier
4P52-301



The Horizontal Plier
4P54-301



The Tear Drop Plier
4P53-301

